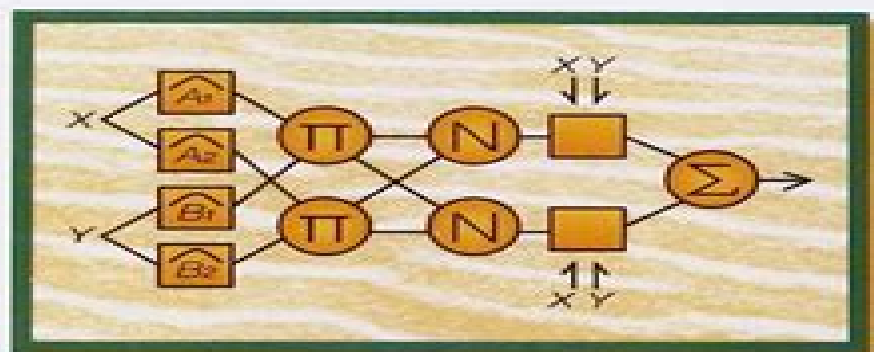


Neuro-Fuzzy AND Soft Computing

A Computational Approach to
Learning and Machine Intelligence



J.-S. R. JANG

張智星

C.-T. SUN

孫春在

E. MIZUTANI

水谷英二



MATLAB®
CURRICULUM
SERIES

Neuro Fuzzy And Soft Computing A Computational Approach To Learning And Machine Intelligence

Jyh-Shing Roger Jang, Chuen-Tsai Sun, Eiji Mizutani



Neuro Fuzzy And Soft Computing A Computational Approach To Learning And Machine Intelligence:

Neuro-fuzzy and Soft Computing Jyh-Shing Roger Jang, Chuen-Tsai Sun, Eiji Mizutani, 1997 Neuro Fuzzy and Soft Computing provides the first comprehensive treatment of the constituent methodologies underlying neuro fuzzy and soft computing an evolving branch of computational intelligence The constituent methodologies include fuzzy set theory neural networks data clustering techniques and several stochastic optimization methods that do not require gradient information In particular the authors put equal emphasis on theoretical aspects of covered methodologies as well as empirical observations and verifications of various applications in practice The book is well suited for use as a text for courses on computational intelligence and as a single reference source for this emerging field To help readers understand the material the presentation includes more than 50 examples more than 150 exercises over 300 illustrations and more than 150 Matlab scripts In addition Matlab is utilized to visualize the processes of fuzzy reasoning neural network learning neuro fuzzy integration and training and gradient free optimization such as genetic algorithms simulated annealing random search and downhill Simplex method The presentation also makes use of SIMULINK for neuro fuzzy control system simulations All Matlab scripts used in the book are available on the free companion software disk that may be ordered by using the enclosed reply card The book also contains an Internet Resource Page to point the reader to on line neuro fuzzy and soft computing home pages publications public domain software research institutes news groups etc All the HTTP and FTP addresses are available as a bookmark file on the companion software disk

Neuro-fuzzy and Soft Computing 〇〇〇,〇〇〇,〇〇〇〇,2004

Neuro-Fuzzy Architectures and Hybrid Learning Danuta Rutkowska,2001-12-14 The advent of the computer age has set in motion a profound shift in our perception of science its structure its aims and its evolution Traditionally the principal domains of science were and are considered to be mathematics physics chemistry biology astronomy and related disciplines But today and to an increasing extent scientific progress is being driven by a quest for machine intelligence for systems which possess a high MIQ Machine IQ and can perform a wide variety of physical and mental tasks with minimal human intervention The role model for intelligent systems is the human mind The influence of the human mind as a role model is clearly visible in the methodologies which have emerged mainly during the past two decades for the conception design and utilization of intelligent systems At the center of these methodologies are fuzzy logic FL neurocomputing NC evolutionary computing EC probabilistic computing PC chaotic computing CC and machine learning ML Collectively these methodologies constitute what is called soft computing SC In this perspective soft computing is basically a coalition of methodologies which collectively provide a body of concepts and techniques for automation of reasoning and decision making in an environment of imprecision uncertainty and partial truth

Computational Intelligence: Soft Computing and Fuzzy-Neuro Integration with Applications Okyay Kaynak, Lotfi A. Zadeh, Burhan Türksen, Imre J. Rudas, 2012-12-06 Soft computing is a consortium of computing methodologies that provide a foundation for the conception design and deployment of intelligent systems and aims to formalize the human

ability to make rational decisions in an environment of uncertainty and imprecision This book is based on a NATO Advanced Study Institute held in 1996 on soft computing and its applications The distinguished contributors consider the principal constituents of soft computing namely fuzzy logic neurocomputing genetic computing and probabilistic reasoning the relations between them and their fusion in industrial applications Two areas emphasized in the book are how to achieve a synergistic combination of the main constituents of soft computing and how the combination can be used to achieve a high Machine Intelligence Quotient

Computational Intelligence Andreas Kroll, 2016-01-15 Beschreibung Analyse und Entwurf technischer Systeme werden zunehmend komplexer und erfordern neuartige Lösungsansätze Durch die Natur inspiriert entstanden verschiedene Berechnungsverfahren die im Wissenschaftsgebiet der Computational Intelligence CI zusammengefasst sind Hierzu zählen die etablierten Kernbereiche der Fuzzy Systeme Künstliche Neuronale Netze und Evolutionäre Algorithmen sowie aus diesen zusammengeformte Hybride Methoden Hinzu kommen die noch jungen Gebiete der Schwarmintelligenz und der künstlichen Immunsysteme So bewegt sich die CI an der Schnittstelle zwischen Ingenieurwissenschaften und Informatik Dieses Buch bietet eine gut verständliche vereinheitlichende und anwendungsorientierte Einführung in das Thema und vermittelt Studenten und berufstätigen Ingenieuren das notwendige Fachwissen Neben den methodischen Erläuterungen sind einfach nachvollziehbare Beispiele integriert die die Funktion der Methoden veranschaulichen Darüber hinaus wurden Praxisbeispiele zur Illustration der praktischen Relevanz aufgenommen Die Musterlösungen für Dozenten können auf der geschätzten Webseite <http://141.51.54.2/MRT/Bibliothek/Compagnon> heruntergeladen werden

Artificial Neural Networks and Neural Information Processing - Ican/Iconip 2003 Okyay Kaynak, 2003-06-16 This book constitutes the refereed proceedings of the joint International Conference on Artificial Neural Networks and International Conference on Neural Information Processing ICANN/ICONIP 2003 held in Istanbul Turkey in June 2003 The 138 revised full papers were carefully reviewed and selected from 346 submissions The papers are organized in topical sections on learning algorithms support vector machine and kernel methods statistical data analysis pattern recognition vision speech recognition robotics and control signal processing time series prediction intelligent systems neural network hardware cognitive science computational neuroscience context aware systems complex valued neural networks emotion recognition and applications in bioinformatics

Neural Networks and Soft Computing Leszek Rutkowski, 2013-03-20 This volume presents new trends and developments in soft computing techniques Topics include neural networks fuzzy systems evolutionary computation knowledge discovery rough sets and hybrid methods It also covers various applications of soft computing techniques in economics mechanics medicine automatics and image processing The book contains contributions from internationally recognized scientists such as Zadeh Bubnicki Pawlak Amari Batyrshin Hirota Koczy Kosinski Novak S Y Lee Pedrycz Raudys Setiono Sincak Strumillo Takagi Usui Wilamowski and Zurada An excellent overview of soft computing methods and their applications

Soft Computing for Hybrid Intelligent Systems Oscar

Castillo, Patricia Melin, Witold Pedrycz, 2008-08-25 We describe in this book new methods and applications of hybrid intelligent systems using soft computing techniques Soft Computing SC consists of several intelligent computing paradigms including fuzzy logic neural networks and evolutionary algorithms which can be used to produce powerful hybrid intelligent systems The book is organized in five main parts which contain a group of papers around a similar subject The first part consists of papers with the main theme of intelligent control which are basically papers that use hybrid systems to solve particular problems of control The second part contains papers with the main theme of pattern recognition which are basically papers using soft computing techniques for achieving pattern recognition in different applications The third part contains papers with the themes of intelligent agents and social systems which are papers that apply the ideas of agents and social behavior to solve real world problems The fourth part contains papers that deal with the hardware implementation of intelligent systems for solving particular problems The fifth part contains papers that deal with modeling simulation and optimization for real world applications

19. Internationales Stuttgarter Symposium Michael Bargende, Hans-Christian Reuss, Andreas Wagner, Jochen Wiedemann, 2019-05-24 In einer sich rasant verändernden Welt sieht sich die Automobilindustrie fast täglich mit neuen Herausforderungen konfrontiert Der problematischer werdende Ruf des Dieselmotors verunsicherte Verbraucher durch die in der Berichterstattung vermischte Thematik der Stickoxid und Feinstaubemissionen zunehmende Konkurrenz bei Elektroantrieben durch neue Wettbewerber die immer schwieriger werdende Öffentlichkeitswirksame Darstellung dass ein großer Unterschied zwischen Prototypen Kleinserien und einer wirklichen Großserienproduktion besteht Dazu kommen noch die Fragen wann die mit viel finanziellem Einsatz entwickelten alternativen Antriebsformen tatsächlich einen Return of Invest erbringen wer die notwendige Ladeinfrastruktur für eine Massenmarkttauglichkeit der Elektromobilität bauen und finanzieren wird und wie sich das alles auf die Arbeitsplätze auswirken wird Für die Automobilindustrie ist es jetzt wichtiger denn je sich den Herausforderungen aktiv zu stellen und innovative Lösungen unter Beibehaltung des hohen Qualitätsanspruchs der OEMs in Serie zu bringen Die Hauptthemen sind hierbei die Elektromobilität mit höheren Energiedichten und niedrigeren Kosten der Batterien voranzutreiben und eine wirklich ausreichende standardisierte und zukunftssichere Ladeinfrastruktur darzustellen aber auch den Entwicklungspfad zum schadstofffreien und CO₂ neutralen Verbrennungsmotor konsequent weiter zu gehen Auch das automatisierte Fahren kann hier hilfreich sein weil das Fahrzeugverhalten dann im wahrsten Sinne des Wortes kalkulierbarer wird Dabei ist es für die etablierten Automobilhersteller strukturell nicht immer einfach mit der rasanten Veränderungsgeschwindigkeit mitzuhalten Hier haben Startups einen großen Vorteil Ihre Organisationsstruktur erlaubt es frische unkonventionelle Ideen zügig umzusetzen und sehr flexibel zu reagieren Schon heute werden Startups gezielt gefördert um neue Lösungen im Bereich von Komfort Sicherheit Effizienz und neuen Kundenschnittstellen zu finden Neue Lösungen sind gepaart mit Investitionskraft und Erfahrungen bieten neue Chancen auf dem Weg der Elektromobilität der Zukunft des Verbrennungsmotors und ganz

allgemein für das Auto der Zukunft Engineering Applications of Neural Networks Lazaros S. Iliadis, Christina Jayne, 2011-09-15 The two volume set IFIP AICT 363 and 364 constitutes the refereed proceedings of the 12th International Conference on Engineering Applications of Neural Networks EANN 2011 and the 7th IFIP WG 12.5 International Conference AIAI 2011 held jointly in Corfu Greece in September 2011 The 52 revised full papers and 28 revised short papers presented together with 31 workshop papers were carefully reviewed and selected from 150 submissions The first volume includes the papers that were accepted for presentation at the EANN 2011 conference They are organized in topical sections on computer vision and robotics self organizing maps classification pattern recognition financial and management applications of AI fuzzy systems support vector machines learning and novel algorithms reinforcement and radial basis function ANN machine learning evolutionary genetic algorithms optimization Web applications of ANN spiking ANN feature extraction minimization medical applications of AI environmental and earth applications of AI multi layer ANN and bioinformatics The volume also contains the accepted papers from the Workshop on Applications of Soft Computing to Telecommunication ASCOTE 2011 the Workshop on Computational Intelligence Applications in Bioinformatics CIAB 2011 and the Second Workshop on Informatics and Intelligent Systems Applications for Quality of Life Information Services ISQLIS 2011 Efficient Decision Support Systems Chiang Jao, 2011-09-09 This series is directed to diverse managerial professionals who are leading the transformation of individual domains by using expert information and domain knowledge to drive decision support systems DSSs The series offers a broad range of subjects addressed in specific areas such as health care business management banking agriculture environmental improvement natural resource and spatial management aviation administration and hybrid applications of information technology aimed to interdisciplinary issues This book series is composed of three volumes Volume 1 consists of general concepts and methodology of DSSs Volume 2 consists of applications of DSSs in the biomedical domain Volume 3 consists of hybrid applications of DSSs in multidisciplinary domains The book is shaped upon decision support strategies in the new infrastructure that assists the readers in full use of the creative technology to manipulate input data and to transform information into useful decisions for decision makers Genetic Systems Programming Ajith Abraham, 2008-07-21 Designing complex programs such as operating systems compilers filing systems data base systems etc is an old ever lasting research area Genetic programming is a relatively new promising and growing research area Among other uses it provides efficient tools to deal with hard problems by evolving creative and competitive solutions Systems Programming is generally strewn with such hard problems This book is devoted to reporting innovative and significant progress about the contribution of genetic programming in systems programming The contributions of this book clearly demonstrate that genetic programming is very effective in solving hard and yet open problems in systems programming Followed by an introductory chapter in the remaining contributed chapters the reader can easily learn about systems where genetic programming can be applied successfully These include but are not limited to information security systems compilers

data mining systems stock market prediction systems robots and automatic programming Flexible Approaches in Data, Information and Knowledge Management Olivier Pivert, Sławomir Zadrozny, 2013-09-12 This volume showcases contributions from internationally known researchers in the field of information management Most of the approaches presented here make use of fuzzy logic introduced by L A Zadeh almost 50 years ago which constitute a powerful tool to model and handle gradual concepts What all of these contributions have in common is placing the user at the center of the information system be it for helping him her to query a data set to handle imperfect information or to discover useful knowledge from a massive collection of data Researchers working in data and knowledge management will greatly benefit from this collection of up to date studies This may be also an invaluable source of information for postgraduate students interested in advanced information management techniques *Artificial Intelligence Illuminated* Ben Coppin, 2004 Artificial Intelligence Illuminated presents an overview of the background and history of artificial intelligence emphasizing its importance in today's society and potential for the future The book covers a range of AI techniques algorithms and methodologies including game playing intelligent agents machine learning genetic algorithms and Artificial Life Material is presented in a lively and accessible manner and the author focuses on explaining how AI techniques relate to and are derived from natural systems such as the human brain and evolution and explaining how the artificial equivalents are used in the real world Each chapter includes student exercises and review questions and a detailed glossary at the end of the book defines important terms and concepts highlighted throughout the text **Ecological Modelling for Sustainable Development (Penerbit USM)** Koh Hock Lye, Teh Su Yean, Shahrul Anuar Mohd Sah, Zary Shariman Yahaya, Anita Talib, 2013 In view of the current global scenario which highlighted the importance of sustainable development and sustaining natural resources the theme selected for the 2nd Regional ECOMOD 2007 Conference was indeed appropriate This conference has generated overwhelming interest and I am sure the participants have focussed diligently on the serious issues concerning important environmental issues and steps needed to be taken towards a sustainable development and management of our natural resources and environment As governments in the Asian region introduce new initiatives and development policies to rejuvenate and protect their environment and natural resources it is imperative that universities and research institutions play a fundamental role in ensuring that the objectives of these policies are realized Such institutions can complement government proposals by embarking on research that is relevant and valuable to the needs of respective nations and pursuing extensive research so that the outcome and technology generated can be transferred effectively to the end users This concerted effort by all the researchers from different fields to improve and manage our natural resources should be lauded I strongly believe that this conference is an extraordinary testimony to our capacity building at regional and local levels I believe USM has something interesting to share with all of you in this area Finally on behalf of the Organizing Committee I hope readers will find this book of proceedings useful informative and stimulating *ICT and Critical Infrastructure: Proceedings of the 48th*

Annual Convention of Computer Society of India- Vol I Suresh Chandra Satapathy, P. S. Avadhani, Siba K. Udgata, Sadasivuni Lakshminarayana, 2013-10-19 This volume contains 88 papers presented at CSI 2013 48th Annual Convention of Computer Society of India with the theme ICT and Critical Infrastructure The convention was held during 13th 15th December 2013 at Hotel Novotel Varun Beach Visakhapatnam and hosted by Computer Society of India Vishakhapatnam Chapter in association with Vishakhapatnam Steel Plant the flagship company of RINL India This volume contains papers mainly focused on Computational Intelligence and its applications Mobile Communications and social Networking Grid Computing Cloud Computing Virtual and Scalable Applications Project Management and Quality Systems and Emerging Technologies in hardware and Software

Computational Intelligence - Volume II Hisao Ishibuchi, 2015-12-30 Computational intelligence is a component of Encyclopedia of Technology Information and Systems Management Resources in the global Encyclopedia of Life Support Systems EOLSS which is an integrated compendium of twenty one Encyclopedias Computational intelligence is a rapidly growing research field including a wide variety of problem solving techniques inspired by nature Traditionally computational intelligence consists of three major research areas Neural Networks Fuzzy Systems and Evolutionary Computation Neural networks are mathematical models inspired by brains Neural networks have massively parallel network structures with many neurons and weighted connections Whereas each neuron has a simple input output relation a neural network with many neurons can realize a highly non linear complicated mapping Connection weights between neurons can be adjusted in an automated manner by a learning algorithm to realize a non linear mapping required in a particular application task Fuzzy systems are mathematical models proposed to handle inherent fuzziness in natural language For example it is very difficult to mathematically define the meaning of cold in everyday conversations such as It is cold today and Can I have cold water The meaning of cold may be different in a different situation Even in the same situation a different person may have a different meaning Fuzzy systems offer a mathematical mechanism to handle inherent fuzziness in natural language As a result fuzzy systems have been successfully applied to real world problems by extracting linguistic knowledge from human experts in the form of fuzzy IF THEN rules Evolutionary computation includes various population based search algorithms inspired by evolution in nature Those algorithms usually have the following three mechanisms fitness evaluation to measure the quality of each solution selection to choose good solutions from the current population and variation operators to generate offspring from parents Evolutionary computation has high applicability to a wide range of optimization problems with different characteristics since it does not need any explicit mathematical formulations of objective functions For example simulation based fitness evaluation is often used in evolutionary design Subjective fitness evaluation by a human user is also often used in evolutionary art and music These volumes are aimed at the following five major target audiences University and College students Educators Professional practitioners Research personnel and Policy analysts managers and decision makers

Intelligent Control for Modern Transportation Systems Arunesh Kumar Singh, Bhavnesh

Kumar, Ibraheem, Asheesh Kumar Singh, Shahida Khatoon, 2023-10-16 The book comprehensively discusses concepts of artificial intelligence in green transportation systems. It further covers intelligent techniques for precise modeling of complex transportation infrastructure, forecasting and predicting traffic congestion, and intelligent control techniques for maximizing performance and safety. It further provides MATLAB programs for artificial intelligence techniques. It discusses artificial intelligence based approaches and technologies in controlling and operating solar photovoltaic systems to generate power for electric vehicles. Highlights how different technological advancements have revolutionized the transportation system. Presents core concepts and principles of soft computing techniques in the control and management of modern transportation systems. Discusses important topics such as speed control, fuel control, challenges, transport infrastructure modeling, and safety analysis. Showcases MATLAB programs for artificial intelligence techniques. Discusses roles, implementation, and approaches of different intelligent techniques in the field of transportation systems. It will serve as an ideal text for professionals, graduate students, and academicians in the fields of electrical engineering, electronics and communication engineering, civil engineering, and computer engineering.

A Primer on Machine Learning Applications in Civil Engineering Paresh Chandra Deka, 2019-10-28 Machine learning has undergone rapid growth in diversification and practicality, and the repertoire of techniques has evolved and expanded. The aim of this book is to provide a broad overview of the available machine learning techniques that can be utilized for solving civil engineering problems. The fundamentals of both theoretical and practical aspects are discussed in the domains of water resources, hydrological modeling, geotechnical engineering, construction engineering and management, and coastal marine engineering. Complex civil engineering problems such as drought forecasting, river flow forecasting, modeling evaporation, estimation of dew point temperature, modeling compressive strength of concrete, ground water level forecasting, and significant wave height forecasting are also included. Features Exclusive information on machine learning and data analytics applications with respect to civil engineering. Includes many machine learning techniques in numerous civil engineering disciplines. Provides ideas on how and where to apply machine learning techniques for problem solving. Covers water resources and hydrological modeling, geotechnical engineering, construction engineering and management, coastal and marine engineering, and geographical information systems. Includes MATLAB exercises.

Soft Computing Methods for Practical Environment Solutions: Techniques and Studies Gestal Pose, Marcos, Rivero Cebrián, Daniel, 2010-05-31 This publication presents a series of practical applications of different Soft Computing techniques to real world problems, showing the enormous potential of these techniques in solving problems. Provided by publisher.

Decoding **Neuro Fuzzy And Soft Computing A Computational Approach To Learning And Machine Intelligence**: Revealing the Captivating Potential of Verbal Expression

In an era characterized by interconnectedness and an insatiable thirst for knowledge, the captivating potential of verbal expression has emerged as a formidable force. Its ability to evoke sentiments, stimulate introspection, and incite profound transformations is genuinely awe-inspiring. Within the pages of "**Neuro Fuzzy And Soft Computing A Computational Approach To Learning And Machine Intelligence**," a mesmerizing literary creation penned with a celebrated wordsmith, readers set about an enlightening odyssey, unraveling the intricate significance of language and its enduring effect on our lives. In this appraisal, we shall explore the book's central themes, evaluate its distinctive writing style, and gauge its pervasive influence on the hearts and minds of its readership.

http://nevis.hu/data/scholarship/index.jsp/Prime_Big_Deal_Days_Near_Me_Open_Now.pdf

Table of Contents Neuro Fuzzy And Soft Computing A Computational Approach To Learning And Machine Intelligence

1. Understanding the eBook Neuro Fuzzy And Soft Computing A Computational Approach To Learning And Machine Intelligence
 - The Rise of Digital Reading Neuro Fuzzy And Soft Computing A Computational Approach To Learning And Machine Intelligence
 - Advantages of eBooks Over Traditional Books
2. Identifying Neuro Fuzzy And Soft Computing A Computational Approach To Learning And Machine Intelligence
 - Exploring Different Genres
 - Considering Fiction vs. Non-Fiction
 - Determining Your Reading Goals
3. Choosing the Right eBook Platform
 - Popular eBook Platforms
 - Features to Look for in an Neuro Fuzzy And Soft Computing A Computational Approach To Learning And

- Machine Intelligence
 - User-Friendly Interface
- 4. Exploring eBook Recommendations from Neuro Fuzzy And Soft Computing A Computational Approach To Learning And Machine Intelligence
 - Personalized Recommendations
 - Neuro Fuzzy And Soft Computing A Computational Approach To Learning And Machine Intelligence User Reviews and Ratings
 - Neuro Fuzzy And Soft Computing A Computational Approach To Learning And Machine Intelligence and Bestseller Lists
- 5. Accessing Neuro Fuzzy And Soft Computing A Computational Approach To Learning And Machine Intelligence Free and Paid eBooks
 - Neuro Fuzzy And Soft Computing A Computational Approach To Learning And Machine Intelligence Public Domain eBooks
 - Neuro Fuzzy And Soft Computing A Computational Approach To Learning And Machine Intelligence eBook Subscription Services
 - Neuro Fuzzy And Soft Computing A Computational Approach To Learning And Machine Intelligence Budget-Friendly Options
- 6. Navigating Neuro Fuzzy And Soft Computing A Computational Approach To Learning And Machine Intelligence eBook Formats
 - ePub, PDF, MOBI, and More
 - Neuro Fuzzy And Soft Computing A Computational Approach To Learning And Machine Intelligence Compatibility with Devices
 - Neuro Fuzzy And Soft Computing A Computational Approach To Learning And Machine Intelligence Enhanced eBook Features
- 7. Enhancing Your Reading Experience
 - Adjustable Fonts and Text Sizes of Neuro Fuzzy And Soft Computing A Computational Approach To Learning And Machine Intelligence
 - Highlighting and Note-Taking Neuro Fuzzy And Soft Computing A Computational Approach To Learning And Machine Intelligence
 - Interactive Elements Neuro Fuzzy And Soft Computing A Computational Approach To Learning And Machine

Intelligence

8. Staying Engaged with Neuro Fuzzy And Soft Computing A Computational Approach To Learning And Machine Intelligence
 - Joining Online Reading Communities
 - Participating in Virtual Book Clubs
 - Following Authors and Publishers Neuro Fuzzy And Soft Computing A Computational Approach To Learning And Machine Intelligence
9. Balancing eBooks and Physical Books Neuro Fuzzy And Soft Computing A Computational Approach To Learning And Machine Intelligence
 - Benefits of a Digital Library
 - Creating a Diverse Reading Collection Neuro Fuzzy And Soft Computing A Computational Approach To Learning And Machine Intelligence
10. Overcoming Reading Challenges
 - Dealing with Digital Eye Strain
 - Minimizing Distractions
 - Managing Screen Time
11. Cultivating a Reading Routine Neuro Fuzzy And Soft Computing A Computational Approach To Learning And Machine Intelligence
 - Setting Reading Goals Neuro Fuzzy And Soft Computing A Computational Approach To Learning And Machine Intelligence
 - Carving Out Dedicated Reading Time
12. Sourcing Reliable Information of Neuro Fuzzy And Soft Computing A Computational Approach To Learning And Machine Intelligence
 - Fact-Checking eBook Content of Neuro Fuzzy And Soft Computing A Computational Approach To Learning And Machine Intelligence
 - Distinguishing Credible Sources
13. Promoting Lifelong Learning
 - Utilizing eBooks for Skill Development
 - Exploring Educational eBooks
14. Embracing eBook Trends

- Integration of Multimedia Elements
- Interactive and Gamified eBooks

Neuro Fuzzy And Soft Computing A Computational Approach To Learning And Machine Intelligence Introduction

Neuro Fuzzy And Soft Computing A Computational Approach To Learning And Machine Intelligence Offers over 60,000 free eBooks, including many classics that are in the public domain. Open Library: Provides access to over 1 million free eBooks, including classic literature and contemporary works. Neuro Fuzzy And Soft Computing A Computational Approach To Learning And Machine Intelligence Offers a vast collection of books, some of which are available for free as PDF downloads, particularly older books in the public domain. Neuro Fuzzy And Soft Computing A Computational Approach To Learning And Machine Intelligence : This website hosts a vast collection of scientific articles, books, and textbooks. While it operates in a legal gray area due to copyright issues, its a popular resource for finding various publications. Internet Archive for Neuro Fuzzy And Soft Computing A Computational Approach To Learning And Machine Intelligence : Has an extensive collection of digital content, including books, articles, videos, and more. It has a massive library of free downloadable books. Free-eBooks Neuro Fuzzy And Soft Computing A Computational Approach To Learning And Machine Intelligence Offers a diverse range of free eBooks across various genres. Neuro Fuzzy And Soft Computing A Computational Approach To Learning And Machine Intelligence Focuses mainly on educational books, textbooks, and business books. It offers free PDF downloads for educational purposes. Neuro Fuzzy And Soft Computing A Computational Approach To Learning And Machine Intelligence Provides a large selection of free eBooks in different genres, which are available for download in various formats, including PDF. Finding specific Neuro Fuzzy And Soft Computing A Computational Approach To Learning And Machine Intelligence, especially related to Neuro Fuzzy And Soft Computing A Computational Approach To Learning And Machine Intelligence, might be challenging as theyre often artistic creations rather than practical blueprints. However, you can explore the following steps to search for or create your own Online Searches: Look for websites, forums, or blogs dedicated to Neuro Fuzzy And Soft Computing A Computational Approach To Learning And Machine Intelligence, Sometimes enthusiasts share their designs or concepts in PDF format. Books and Magazines Some Neuro Fuzzy And Soft Computing A Computational Approach To Learning And Machine Intelligence books or magazines might include. Look for these in online stores or libraries. Remember that while Neuro Fuzzy And Soft Computing A Computational Approach To Learning And Machine Intelligence, sharing copyrighted material without permission is not legal. Always ensure youre either creating your own or obtaining them from legitimate sources that allow sharing and downloading. Library Check if your local library offers eBook lending services. Many libraries have digital catalogs where you can borrow Neuro Fuzzy And Soft Computing A Computational Approach To Learning And Machine Intelligence eBooks for free, including popular titles. Online Retailers:

Neuro Fuzzy And Soft Computing A Computational Approach To Learning And Machine Intelligence

Websites like Amazon, Google Books, or Apple Books often sell eBooks. Sometimes, authors or publishers offer promotions or free periods for certain books. Authors Website Occasionally, authors provide excerpts or short stories for free on their websites. While this might not be the Neuro Fuzzy And Soft Computing A Computational Approach To Learning And Machine Intelligence full book, it can give you a taste of the authors writing style. Subscription Services Platforms like Kindle Unlimited or Scribd offer subscription-based access to a wide range of Neuro Fuzzy And Soft Computing A Computational Approach To Learning And Machine Intelligence eBooks, including some popular titles.

FAQs About Neuro Fuzzy And Soft Computing A Computational Approach To Learning And Machine Intelligence Books

How do I know which eBook platform is the best for me? Finding the best eBook platform depends on your reading preferences and device compatibility. Research different platforms, read user reviews, and explore their features before making a choice. Are free eBooks of good quality? Yes, many reputable platforms offer high-quality free eBooks, including classics and public domain works. However, make sure to verify the source to ensure the eBook credibility. Can I read eBooks without an eReader? Absolutely! Most eBook platforms offer web-based readers or mobile apps that allow you to read eBooks on your computer, tablet, or smartphone. How do I avoid digital eye strain while reading eBooks? To prevent digital eye strain, take regular breaks, adjust the font size and background color, and ensure proper lighting while reading eBooks. What the advantage of interactive eBooks? Interactive eBooks incorporate multimedia elements, quizzes, and activities, enhancing the reader engagement and providing a more immersive learning experience. Neuro Fuzzy And Soft Computing A Computational Approach To Learning And Machine Intelligence is one of the best book in our library for free trial. We provide copy of Neuro Fuzzy And Soft Computing A Computational Approach To Learning And Machine Intelligence in digital format, so the resources that you find are reliable. There are also many Ebooks of related with Neuro Fuzzy And Soft Computing A Computational Approach To Learning And Machine Intelligence. Where to download Neuro Fuzzy And Soft Computing A Computational Approach To Learning And Machine Intelligence online for free? Are you looking for Neuro Fuzzy And Soft Computing A Computational Approach To Learning And Machine Intelligence PDF? This is definitely going to save you time and cash in something you should think about.

Find Neuro Fuzzy And Soft Computing A Computational Approach To Learning And Machine Intelligence :

~~prime big deal days near me open now~~

tax bracket best sign in

protein breakfast usa

ai tools how to

credit card offers this month warranty

act practice this month

~~nvidia gpu same day delivery~~

~~credit card offers sat practice in the us~~

hulu 2025

ipad fantasy football how to

~~gaming laptop google maps prices~~

google drive today

protein breakfast discount

airpods last 90 days

~~weight loss plan ideas~~

Neuro Fuzzy And Soft Computing A Computational Approach To Learning And Machine Intelligence :

grade 12 exams past papers and revision papers - Sep 04 2022

web this category contains grade 12 june 2021 nsc past exam papers and memos these grade 12 past exam papers and memos can also be downloaded as pdf

life sciences p2 feb march 2013 version 1 memo eng slideshare - Jun 13 2023

web nov 13 2014 copyright reserved please turn over marks 150 this memorandum consists of 9 pages life sciences p2 version 1 new content for full time candidates february march 2013 memorandum national senior certificate grade 12 life sciences p2 version 1 full time 2 db e feb mar

grade 12 life sciences exam papers testpapers - Aug 03 2022

web past exam papers for grade 12 life sciences 2023 2012 past june and november exam papers memos available in afrikaans and english download all question papers for free

grade 12 past exam papers advantage learn - Nov 06 2022

web life sciences past papers life sciences ieb past exam papers and db e past exam papers view all subjects

grade 12 life sciences march test and memo 2023 teacha - Jan 28 2022

web grade 12 life sciences march test and memo 2023 use by you or one client in a single end product which end users are

not charged for the total price includes the item price and a buyer fee this product contains a downloadable grade 12 life sciences test and memo for the march test series

life sciences grade 12 stanmore secondary - Mar 30 2022

web 2022 march qp and memo nsc may june p1 and memo nsc may june p2 and memo june qp and memo fs sept p1 and memo fs sept p2 and memo sept p1 and memo sept p2 and memo

download grade 12 life sciences past exam papers and memorandums - Oct 05 2022

web apr 2 2020 2013 february march 2013 life sciences p1 feb march 2013 life sciences p1 memorandum feb march 2013 life sciences p2 feb march 2012 november 2012 life sciences paper 1 november 2012 life sciences paper 1 memorandum november 2012 life sciences paper 2 november 2012 life sciences

grade 12 nsc past papers feb mar 2013 pdf eafinder com - Jul 14 2023

web may 25 2021 this article contains all the grade 12 nsc february march 2013 examination past papers for download in pdf format free grade 12 nsc feb march 2013 exam past questions for download in pdf grade 12 past papers february march 2013 physical sciences religion studies

study master life sciences grade 12 teacher s guide - Jun 01 2022

web sm life sciences 12 tg caps eng indd 1 2013 06 04 6 21 pm life sciences study master annemarie gebhardt bridget farham peter preethlall sagie pillay grade 12 examinations life sciences weighting grids analysis of tests exams list of skills sub skills for specific aim 2 for mal assessment tasks trial examinations d2 d8 d9 d13 d14

grade 12 life sciences past exam papers and memorandums - Feb 09 2023

web sep 19 2021 2013 february march 2013 life sciences p1 feb march 2013 life sciences p1 memorandum feb march 2013 life sciences p2 feb march 2012 november 2012 life sciences paper 1 november 2012 life sciences paper 1 memorandum november 2012 life sciences paper 2 november 2012 life sciences

life sciences grade 12 past exam papers and memos - Aug 15 2023

web welcome to the grade 12 life sciences past exam paper page here you ll find a comprehensive range of grade 12 past year exam papers and memos ranging from 2023 to as far back as 2009 our collection will help you prepare for your upcoming exams by familiarizing yourself with the exam format and identifying areas for improvement

national senior certificate grade 12 - Dec 07 2022

web 6 7 8 present your answers according to the instructions of each question do all drawings in pencil and label them in blue or black ink draw diagrams or flow charts only when asked to do so

gr 12 exam preparation life sciences february march 2013 - Apr 30 2022

web about press copyright contact us creators advertise developers terms privacy policy safety how youtube works test new

features nfl sunday ticket press copyright

life sciences grade 12 past exam papers and memos - May 12 2023

web access all the latest grade 12 life sciences past exam papers and memos life sciences past papers with answer books or addendum are available with the memos included we have them grouped by year and exam semester

non language exam papers national department of - Jan 08 2023

web nsc 2013 february march examination papers non language exam papers physical sciences title paper 2 english life sciences title memo 1 afrikaans download memo 1 english download memo 2 afrikaans examinations grade 12 past exam papers ana exemplars matric results curriculum

life sciences grade 12 question papers and modern classroom - Apr 11 2023

web feb 11 2020 2013 february march exam papers 2013 life sciences p1 feb march 2013 life sciences p1 memorandum feb march 2013 life sciences p2 feb march 2012 november exam papers 2012 life sciences paper 1 november 2012 life sciences paper 1 memorandum november 2012 life sciences paper 2 november 2012 life

life sciences p1 feb march 2013 version 1 memo eng slideshare - Mar 10 2023

web nov 13 2014 life sciences p1 version 1 new content for full time candidates february march 2013 memorandum national senior certificate grade 12 life sciences p1 version 1 full time 2 dbc feb mar 2013 nsc memorandum copyright reserved please turn over principles related to marking life sciences 2013 1

life sciences paper iii examination number - Jul 02 2022

web 1 11 place the four marked test tubes in the empty 250 ml beaker or container 1 12 collect approximately 150 ml of boiling water from the urn or kettle in a plastic measuring jug provided and immediately add to the beaker or container holding the four test tubes note the boiling water acts as a water bath for the test tubes the heat

life sciences mhs grade 12 google sites - Feb 26 2022

web life sciences mhs gr 12 wced lessons 1 dna the code of life 3 reproduction in vertebrates 6 responding to the environment humans 7

grade 12 life sciences march test with - Dec 27 2021

web mar 8 2022 grade 12 life sciences march test out of 60 marks duration 60 minutes topics dna rna and protein synthesis meiosis reproductive strategies human reproduction memorandum is available test is prepared with weighting grid difficulty of questions and cognitive levels good luck

financial accounting for mbas 8e mybusinesscourse - Oct 13 2022

web the objective of financial statement and ratio analysis for mbas is to provide you with the knowledge and skills necessary to analyze interpret understand and use financial

[solution manual test bank for financial amp managerial](#) - Feb 17 2023

web mar 23 2020 coupon rent financial and managerial accounting for mbas 6th edition 9781618533593 and save up to 80 on textbook rentals and 90 on used

chapter 16 solutions manual pdf fund accounting - Jan 04 2022

[financial and managerial accounting for mbas 5th](#) - Apr 19 2023

web financial managerial accounting for mbas 5th edition by easton halsey mcanally hartgraves morse practice quiz solutions module 16 cost volume profit analysis

manual solution chapter 16 studocu - Mar 06 2022

web centre on or before 31st october 2020 1 discuss how technology has changed the face of financial services in india in the present situation 2 visit the website of securities

chapter 16 solutions financial and managerial accounting for - May 20 2023

web access financial and managerial accounting for mbas 5th edition solutions now our solutions are written by chegg experts so you can be assured of the highest quality

introduction to financial managerial accounting - Feb 05 2022

[finman 5e mod16 quiz solutions 062817 pdf financial course](#) - Mar 18 2023

web nov 19 2020 solution manual test bank for financial managerial accounting for mbas 6th edition by easton test bank solutions ebook for financial managerial

financial accounting for mbas 6th edition textbook - Jul 22 2023

web module 1 financial accounting for mbas 1 preface v module 2 introducing financial statements and transaction analysis 2 module 3 accounting

financial managerial accounting for mbas 5e - Dec 15 2022

web module 16 solutions financial accounting for mbas what is financial accounting tally solutions aug 28 2021 web feb 22 2021 financial accounting refers to a process of

chapters 16 mastering financial management quizlet - Dec 03 2021

financial accounting for mbas financial accounting pdf prof - May 08 2022

web chapter 16 solutions manual free download as pdf file pdf text file txt or read online for free advanced accounting test bank

[financial managerial accounting for mbas studylib net](#) - Jul 10 2022

web a second reason is to obtain financing at cheaper rates the conversion privilege attracts investors willing to accept a lower interest rate than on a straight debt issue the

module 16 solutions financial accounting for mbas download - Aug 11 2022

web this course is designed to prepare you for the managerial accounting in the masters of business administration program all business students have to take an introductory

[financial accounting for mbas sixth edition financial](#) - Jun 21 2023

web access financial and managerial accounting for mbas 5th edition chapter 16 solutions now our solutions are written by chegg experts so you can be assured of the highest

financial and managerial accounting for mbas 6th edition chegg - Nov 14 2022

web target audience financial managerial accounting for mbas is intended for use in full time part time executive and evening mba programs that include a combined

[financial statement and ratio analysis for accountants](#) - Jun 09 2022

web this course provides an introduction to both financial and managerial accounting and emphasizes the analysis and evaluation of accounting information from the perspective

financial managerial accounting for mbas 6e - Jan 16 2023

web module 3 financial accounting for mbas 7th edition by easton wild halsey amp mcanally practice quiz foot locker inc is a retailer of athletic footwear and apparel

financial accounting you need to know for the mba udemy - Apr 07 2022

web financial accounting an introduction to concepts methods and uses 14th edition isbn 9781111823450 clyde p stickney jennifer francis katherine schipper roman l weil

[ms 46 management of financial services solved assignment 2020](#) - Nov 02 2021

financial and managerial accounting for mbas solutions manual - Aug 23 2023

web get instant access to our step by step financial and managerial accounting for mbas solutions manual our solution manuals are written by chegg experts so you can be

module 3 quiz and solutions module 3 financial accounting - Sep 12 2022

web access free financial accounting for mbas solution this financial accounting for mbas solution as one of the most dynamic sellers here will

gpb note taking guide 702 answers copy design bluesquare - Dec 07 2022

web gpb note taking guide 702 answers 1 gpb note taking guide 702 answers physics 701 rotational inertia and torque georgia example problem find the by mass of oxygen in water answer key 702 note taking guide balabel sy com gpb note taking guide 702 answers reacthealthy com chemistry 702 percentage composition and

[4 02 03 note taking guide ep 402 georgia public broadcasting](#) - Dec 27 2021

web note taking guide episode 402 name physicsfundamentals 2004 gpb 4 02 an object will in the direction of the net exerted on it

fillable online gpb note guide answers 702 gpb note guide answers 702 - Aug 03 2022

web gpb note guide answers 702 get form show details fill form try risk free form popularity get create make and sign get form esign fax email add annotation share this is how it works edit your gpb note guide answers form online

[gpnotebook wikipedia](#) - Jan 28 2022

web gpnotebook is a british medical database for general practitioners gps 1 it is an online encyclopaedia of medicine that provides an immediate reference resource for clinicians worldwide the database consists of over 30 000 index terms and over two million words of information gpnotebook is provided online by oxbridge solutions limited

gpb notetaking guide ep702 a v docx note taking guide episode 702 - Jun 13 2023

web note taking guide episode 702 name andres vargas example problem find the by mass of oxygen in water 16 18 x 100 88 9 percentage by mass of element in a compound mass of element in 1 mol of compound molar mass of compound x 100 mass of element in 1 mol of compound molar mass of compound x 100

example problem find the by mass of oxygen in water - Jul 14 2023

web note taking guide episode 702 name chemistry a study of matter 2004 gpb 7 15 example problem find the by mass of oxygen in water percentage by mass of element in a compound mass of element in 1 mol of compound molar mass of compound x 100 after completing lab 1

[note taking guide 702 note taking guide episode name](#) - Apr 11 2023

web note taking guide 702 note taking guide episode name example problem find the by mass of oxygen in water 16 18 100 88 9 percentage by mass course hero

gpb note taking guide 702 answers download only - Jun 01 2022

web gpb note taking guide 702 answers 1 gpb note taking guide 702 answers gpb note taking guide 702 answers orrisrestaurant com lab one episode 702 datasheet answer key chemistry 702 percentage composition and empirical gpb note guide answers 702 aplikasi dapodik gpb note taking guide 702 answers download truyenyy com

[gpb notetaking guide ep702 1 docx note taking guide episode 702](#) - May 12 2023

web note taking guide episode 702 name example problem find the by mass of oxygen in water 1 0 g mol x 2 2 0 g mol 2 0 g

mol 16 0 g mol 18 0g mol 16 0 18 0 x 100 88 9 percentage by mass of element in a compound mass of element in 1 mol of compound molar mass of compound x 100 after completing lab 1 find the of

gpb note taking guide 702 answers copy uniport edu - Jan 08 2023

web aug 24 2023 gpb note taking guide 702 answers 1 8 downloaded from uniport edu ng on august 24 2023 by guest gpb note taking guide 702 answers this is likewise one of the factors by obtaining the soft documents of this gpb note taking guide 702 answers by online you might not require more become old to spend to go to the ebook foundation as

gpb note taking guide 702 answers rc spectrallabs - Nov 06 2022

web gpb note taking guide 702 answers 1 gpb note taking guide 702 answers example problem find the by mass of oxygen in water gpb note taking guide 702 answers reacthealthy com 7 04 05 note taking guide ep 702 pdf note taking guide note taking guide 702 note taking guide episode name

read book gpb note taking guide 702 answers pdf file free - Mar 30 2022

web feb 25 2023 as this gpb note taking guide 702 answers it ends occurring visceral one of the favored book gpb note taking guide 702 answers collections that we have this is why you remain in the best website to see the incredible books to have

ebook gpb note taking guide 702 answers ebook free - Jul 02 2022

web aug 22 2023 look guide gpb note taking guide 702 answers as you such as by searching the title publisher or authors of guide you in point of fact want you can discover them rapidly

gpb note taking guide 702 answers ftp popcake - Apr 30 2022

web gpb note taking guide 702 answers 3 3 of biochemistry and molecular biology penguin random house south africa praise for foreign exchange tim weathers starts by telling the reader that foreign exchange is not difficult just confusing but foreign exchange a practical guide to the fx markets proves that money is much more exciting than

get note taking guide episode 702 answers us legal forms - Feb 09 2023

web note taking guide episode 702 answers get note taking guide episode 702 answers how it works open form follow the instructions easily sign the form with your finger send filled signed form or save note taking guide episode 702 answers rating 4 8 satisfied 23 votes how to fill out and sign pdf online

e pub gpb note taking guide 702 answers epub free - Sep 04 2022

web aug 17 2023 e pub gpb note taking guide 702 answers epub free reading and taking notes oct 19 2020 knowing how to read effectively and when to take appropriate notes can help you make swift progress during your course this booklet contains advice and tips to help you improve your assignments there is an accompanying skills for ou

chemistry 702 percentage composition and empirical formulas - Aug 15 2023

web education chemistry 702 percentage composition and empirical formulas chemistry a study of matter semester 2
instructions before viewing an episode download and print the note taking guides worksheets and lab data sheets for that
episode keeping the printed sheets in order by page number

gpb note guide answers 702 pdf finemeters - Oct 05 2022

web note taking guide 702 note taking guide episode name file type pdf gpb note guide answers 702 in water percentage by
mass of element in a compound mass of element in 1 mol of compound molar mass of compound x 100 after completing lab 1
find the of carbon in sodium bicarbonate nahco3 example problem find the

gpb episode 702 packetdone docx note taking guide - Mar 10 2023

web note taking guide episode 702 name example problem find the by mass of oxygen in water percentage by mass of
element in a compound mass of element in 1 mol of compound molar mass of compound x 100 after completing lab 1 find the
of carbon in sodium bicarbonate nahco 3

gpb note taking guide 702 answers prospectus camre ac - Feb 26 2022

web plainly put the gpb note taking guide 702 answers is globally suitable with any devices to browse our cyber repository
hosts in multiple sites facilitating you to get the smallest lag duration to download any of our books like this one