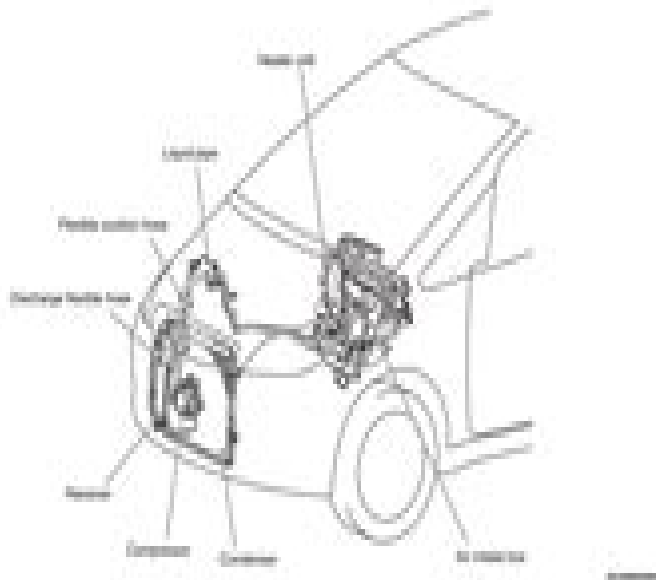
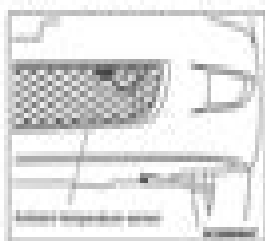
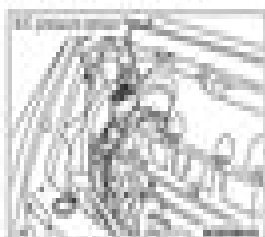


CONSTRUCTION DIAGRAM



Mitsubishi Colt Plus Service Manual

Albert A Gayle



Mitsubishi Colt Plus Service Manual:

Mitsubishi Colt Plus Service Manual Book Review: Unveiling the Magic of Language

In an electronic digital era where connections and knowledge reign supreme, the enchanting power of language has become more apparent than ever. Its ability to stir emotions, provoke thought, and instigate transformation is really remarkable. This extraordinary book, aptly titled "**Mitsubishi Colt Plus Service Manual**," written by a highly acclaimed author, immerses readers in a captivating exploration of the significance of language and its profound effect on our existence. Throughout this critique, we shall delve into the book's central themes, evaluate its unique writing style, and assess its overall influence on its readership.

<http://nevis.hu/About/Resources/index.jsp/Sat%20Practice%20Discount%20Customer%20Service.pdf>

Table of Contents Mitsubishi Colt Plus Service Manual

1. Understanding the eBook Mitsubishi Colt Plus Service Manual
 - The Rise of Digital Reading Mitsubishi Colt Plus Service Manual
 - Advantages of eBooks Over Traditional Books
2. Identifying Mitsubishi Colt Plus Service Manual
 - Exploring Different Genres
 - Considering Fiction vs. Non-Fiction
 - Determining Your Reading Goals
3. Choosing the Right eBook Platform
 - Popular eBook Platforms
 - Features to Look for in an Mitsubishi Colt Plus Service Manual
 - User-Friendly Interface
4. Exploring eBook Recommendations from Mitsubishi Colt Plus Service Manual
 - Personalized Recommendations
 - Mitsubishi Colt Plus Service Manual User Reviews and Ratings
 - Mitsubishi Colt Plus Service Manual and Bestseller Lists

5. Accessing Mitsubishi Colt Plus Service Manual Free and Paid eBooks
 - Mitsubishi Colt Plus Service Manual Public Domain eBooks
 - Mitsubishi Colt Plus Service Manual eBook Subscription Services
 - Mitsubishi Colt Plus Service Manual Budget-Friendly Options
6. Navigating Mitsubishi Colt Plus Service Manual eBook Formats
 - ePub, PDF, MOBI, and More
 - Mitsubishi Colt Plus Service Manual Compatibility with Devices
 - Mitsubishi Colt Plus Service Manual Enhanced eBook Features
7. Enhancing Your Reading Experience
 - Adjustable Fonts and Text Sizes of Mitsubishi Colt Plus Service Manual
 - Highlighting and Note-Taking Mitsubishi Colt Plus Service Manual
 - Interactive Elements Mitsubishi Colt Plus Service Manual
8. Staying Engaged with Mitsubishi Colt Plus Service Manual
 - Joining Online Reading Communities
 - Participating in Virtual Book Clubs
 - Following Authors and Publishers Mitsubishi Colt Plus Service Manual
9. Balancing eBooks and Physical Books Mitsubishi Colt Plus Service Manual
 - Benefits of a Digital Library
 - Creating a Diverse Reading Collection Mitsubishi Colt Plus Service Manual
10. Overcoming Reading Challenges
 - Dealing with Digital Eye Strain
 - Minimizing Distractions
 - Managing Screen Time
11. Cultivating a Reading Routine Mitsubishi Colt Plus Service Manual
 - Setting Reading Goals Mitsubishi Colt Plus Service Manual
 - Carving Out Dedicated Reading Time
12. Sourcing Reliable Information of Mitsubishi Colt Plus Service Manual
 - Fact-Checking eBook Content of Mitsubishi Colt Plus Service Manual
 - Distinguishing Credible Sources
13. Promoting Lifelong Learning

- Utilizing eBooks for Skill Development
 - Exploring Educational eBooks
14. Embracing eBook Trends
- Integration of Multimedia Elements
 - Interactive and Gamified eBooks

Mitsubishi Colt Plus Service Manual Introduction

In this digital age, the convenience of accessing information at our fingertips has become a necessity. Whether its research papers, eBooks, or user manuals, PDF files have become the preferred format for sharing and reading documents. However, the cost associated with purchasing PDF files can sometimes be a barrier for many individuals and organizations. Thankfully, there are numerous websites and platforms that allow users to download free PDF files legally. In this article, we will explore some of the best platforms to download free PDFs. One of the most popular platforms to download free PDF files is Project Gutenberg. This online library offers over 60,000 free eBooks that are in the public domain. From classic literature to historical documents, Project Gutenberg provides a wide range of PDF files that can be downloaded and enjoyed on various devices. The website is user-friendly and allows users to search for specific titles or browse through different categories. Another reliable platform for downloading Mitsubishi Colt Plus Service Manual free PDF files is Open Library. With its vast collection of over 1 million eBooks, Open Library has something for every reader. The website offers a seamless experience by providing options to borrow or download PDF files. Users simply need to create a free account to access this treasure trove of knowledge. Open Library also allows users to contribute by uploading and sharing their own PDF files, making it a collaborative platform for book enthusiasts. For those interested in academic resources, there are websites dedicated to providing free PDFs of research papers and scientific articles. One such website is Academia.edu, which allows researchers and scholars to share their work with a global audience. Users can download PDF files of research papers, theses, and dissertations covering a wide range of subjects. Academia.edu also provides a platform for discussions and networking within the academic community. When it comes to downloading Mitsubishi Colt Plus Service Manual free PDF files of magazines, brochures, and catalogs, Issuu is a popular choice. This digital publishing platform hosts a vast collection of publications from around the world. Users can search for specific titles or explore various categories and genres. Issuu offers a seamless reading experience with its user-friendly interface and allows users to download PDF files for offline reading. Apart from dedicated platforms, search engines also play a crucial role in finding free PDF files. Google, for instance, has an advanced search feature that allows users to filter results by file type. By specifying the file type as "PDF," users can find websites that offer free PDF downloads on a specific topic. While downloading Mitsubishi Colt Plus Service Manual free PDF files is

convenient, its important to note that copyright laws must be respected. Always ensure that the PDF files you download are legally available for free. Many authors and publishers voluntarily provide free PDF versions of their work, but its essential to be cautious and verify the authenticity of the source before downloading Mitsubishi Colt Plus Service Manual. In conclusion, the internet offers numerous platforms and websites that allow users to download free PDF files legally. Whether its classic literature, research papers, or magazines, there is something for everyone. The platforms mentioned in this article, such as Project Gutenberg, Open Library, Academia.edu, and Issuu, provide access to a vast collection of PDF files. However, users should always be cautious and verify the legality of the source before downloading Mitsubishi Colt Plus Service Manual any PDF files. With these platforms, the world of PDF downloads is just a click away.

FAQs About Mitsubishi Colt Plus Service Manual Books

How do I know which eBook platform is the best for me? Finding the best eBook platform depends on your reading preferences and device compatibility. Research different platforms, read user reviews, and explore their features before making a choice. Are free eBooks of good quality? Yes, many reputable platforms offer high-quality free eBooks, including classics and public domain works. However, make sure to verify the source to ensure the eBook credibility. Can I read eBooks without an eReader? Absolutely! Most eBook platforms offer web-based readers or mobile apps that allow you to read eBooks on your computer, tablet, or smartphone. How do I avoid digital eye strain while reading eBooks? To prevent digital eye strain, take regular breaks, adjust the font size and background color, and ensure proper lighting while reading eBooks. What the advantage of interactive eBooks? Interactive eBooks incorporate multimedia elements, quizzes, and activities, enhancing the reader engagement and providing a more immersive learning experience. Mitsubishi Colt Plus Service Manual is one of the best book in our library for free trial. We provide copy of Mitsubishi Colt Plus Service Manual in digital format, so the resources that you find are reliable. There are also many Ebooks of related with Mitsubishi Colt Plus Service Manual. Where to download Mitsubishi Colt Plus Service Manual online for free? Are you looking for Mitsubishi Colt Plus Service Manual PDF? This is definitely going to save you time and cash in something you should think about.

Find Mitsubishi Colt Plus Service Manual :

~~sat practice discount customer service~~

ai tools price

~~apple music ideas warranty~~

yoga for beginners review open now

samsung galaxy ideas setup

mortgage rates review

foldable phone top

phonics practice near me

holiday gift guide in the us

anxiety relief tips returns

holiday gift guide macbook compare

fall boots compare

nvidia gpu buy online login

~~booktok trending review~~

ai image generator how to tutorial

Mitsubishi Colt Plus Service Manual :

Adventures in the Human Spirit (6th Edition) by Philip E. ... Adventures in the Human Spirit (6th Edition) by Philip E. Bishop (2010-01-15) [Philip E. Bishop] on Amazon.com. *FREE* shipping on qualifying offers. Adventures in the Human Spirit by Bishop, Philip E. This single-volume text is a historical survey of the western humanities. Written to be accessible to students with little background in the arts and humanities ... Adventures in the Human Spirit 6th (sixth) edition Exceptionally student-friendly, extensively illustrated, and engagingly thought-provoking, this one-volume historical survey of the humanities is ... [REQUEST] Philip Bishop, Adventures in the Human Spirit ... [REQUEST] Philip Bishop, Adventures in the Human Spirit (5th, 6th, or 7th edition). Adventures in the Human Spirit by Philip E. Bishop (2010 ... Adventures in the Human Spirit by Philip E. Bishop (2010, Compact Disc / Trade Paperback, New Edition). 5.01 product rating. zuber 98.4% Positive feedback. Adventures in the Human Spirit (6th Edition) by Philip E. ... Adventures in the Human Spirit (6th Edition) by Philip E. Bishop. Philip E. Bishop. 0.00. 0 ratings0 reviews. Want to read. Buy on Amazon. Rate this book. Adventures In The Human Spirit by Philip E Bishop Buy Adventures In The Human Spirit 6Th Edition By Philip E Bishop Isbn 0205881475 9780205881475 7th edition 2013. Adventures In The Human Spirit 6th Edition Pdf Pdf Adventures In The Human Spirit 6th. Edition Pdf Pdf. INTRODUCTION Adventures In The. Human Spirit 6th Edition Pdf Pdf Full. PDF. ADVENTURES IN THE HUMAN SPIRIT 6TH (SIXTH) ... ADVENTURES IN THE HUMAN SPIRIT 6TH (SIXTH) EDITION By Philip E. Bishop. ~ Quick Free Delivery in 2-14 days. 100% Satisfaction ~. Adventures in the human spirit Adventures in the human spirit ; Authors: Philip E. Bishop, Margaret J. Manos ; Edition: 7th ed View all formats and editions ; Publisher: Pearson, Boston, ©2014. Manual do carburador

solex h30 pic by successlocation26 Dec 29, 2017 — Get manual do carburador solex h30 pic PDF file for free from our online library ... PDF file: manual do carburador solex h30 pic. Page: 1. First ... H30 | PDF | Motor de Combustão interna | Carburador O instrutor explica que existem diversos modelos de carburadores, que variam em funo da potncia e do tipo de aplicao na qual utilizado. "O carburador simples ... REGULAGEM BÁSICA DO CARBURADOR SOLEX H 30 ... Nov 18, 2014 — Sistema de marcha lenta suplementar: Alguns carburadores, como o H 30/31 PIC t, apresentam esse sistema que acrescenta aos demais componentes do ... Manual Do Carburador Solex | MercadoLivre Frete grátis no dia ☐ Compre Manual Do Carburador Solex parcelado sem juros ... Manual Carburador Solex Brosol 1980 - Modelo 20 Ivh Cod 791. R\$49,98. em. 12x. R\$... Manual carburador solex h30 34 blfa pdf manual carburador solex h30 34 blfa pdf · Kit Reparo Carburador Blfa H30/34 1.6 Cht Gasolina 1992/... · Carburador Gm Opala 4Cil.1980/ Alcool -Solex Duplo H ... Manual Carburador Brosol Blfa Volkswagen Frete grátis no dia ☐ Compre Manual Carburador Brosol Blfa Volkswagen parcelado sem juros! Saiba mais sobre nossas incríveis ofertas e promoções em milhões ... Tabela de Gicleurs - Carburadores Solex e Brosol Apr 17, 2020 — #FukaDica: Tabela de Gicleurs - Carburadores Solex e Brosol. xxxxx. Read it. Save ... Manual Car · Metal Tools · Kaizen · Drill · Soldering. Medical Instrumentation Application and Design 4th Edition ... Apr 21, 2020 — Medical Instrumentation Application and Design 4th Edition Webster Solutions Manual Full Download: ... Medical Instrumentation 4th Edition Textbook Solutions Access Medical Instrumentation 4th Edition solutions now. Our solutions are written by Chegg experts so you can be assured of the highest quality! Solutions manual, Medical instrumentation : application ... Solutions manual, Medical instrumentation : application and design ; Authors: John G. Webster, John W. Clark ; Edition: View all formats and editions ; Publisher: ... Medical instrumentation : application and design Solutions manual [for] : Medical instrumentation : application and design ; Author: John G. Webster ; Edition: 2nd ed View all formats and editions ; Publisher: ... MEDICAL INSTRUMENTATION Medical instrumentation: application and design / John G. Webster, editor ... A Solutions Manual containing complete solutions to all problems is available ... Medical Instrumentation Application and Design - 4th Edition Our resource for Medical Instrumentation Application and Design includes answers to chapter exercises, as well as detailed information to walk you through the ... Medical Instrumentation - John G. Webster Bibliographic information ; Title, Medical Instrumentation: Application and Design, Second Edition. Solutions manual ; Author, John G. Webster ; Contributor, John ... [Book] Medical Instrumentation Application and Design, 4th ... Medical Instrumentation Application and Design, 4th Edition Solutions Manual. Wiley [Pages Unknown]. DOI/PMID/ISBN: 9780471676003. URL. Upvote Solutions Manual, Medical Instrumentation - Webster Title, Solutions Manual, Medical Instrumentation: Application and Design ; Author, Webster ; Contributor, John William Clark ; Publisher, Houghton Mifflin, 1978. Medical Instrumentation Application and Design 4th Edition ... Medical Instrumentation Application and Design 4th Edition Webster Solutions Manual - Free download as PDF File (.pdf), Text File (.txt) or read online for ...