

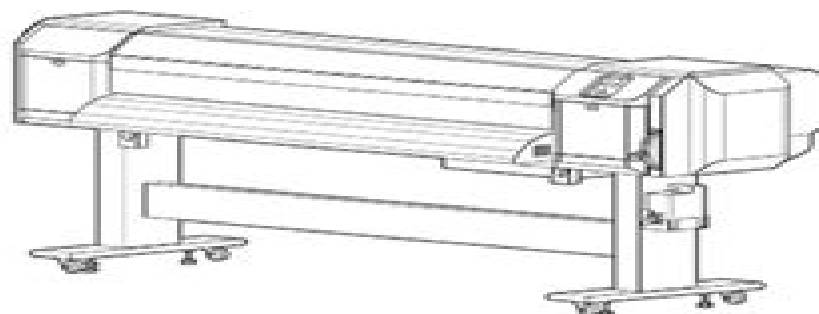
# MUTOH

## MAINTENANCE MANUAL

Full-Colour Inkjet Printer

*ValueJet*

**VJ-1604**



Use this manual for the maintenance  
and inspection of machine.

Rev.

VJ1604E-M-00

# Mutoh 1604 Manual

**SB Merriam**



**Mutoh 1604 Manual:**

If you are craving such a referred **Mutoh 1604 Manual** book that will have the funds for you worth, acquire the totally best seller from us currently from several preferred authors. If you want to droll books, lots of novels, tale, jokes, and more fictions collections are after that launched, from best seller to one of the most current released.

You may not be perplexed to enjoy every book collections Mutoh 1604 Manual that we will utterly offer. It is not vis--vis the costs. Its very nearly what you habit currently. This Mutoh 1604 Manual, as one of the most energetic sellers here will extremely be in the course of the best options to review.

[http://nevis.hu/About/virtual-library/index.jsp/pearson\\_management\\_lab\\_manual\\_answers.pdf](http://nevis.hu/About/virtual-library/index.jsp/pearson_management_lab_manual_answers.pdf)

## **Table of Contents Mutoh 1604 Manual**

1. Understanding the eBook Mutoh 1604 Manual
  - The Rise of Digital Reading Mutoh 1604 Manual
  - Advantages of eBooks Over Traditional Books
2. Identifying Mutoh 1604 Manual
  - Exploring Different Genres
  - Considering Fiction vs. Non-Fiction
  - Determining Your Reading Goals
3. Choosing the Right eBook Platform
  - Popular eBook Platforms
  - Features to Look for in an Mutoh 1604 Manual
  - User-Friendly Interface
4. Exploring eBook Recommendations from Mutoh 1604 Manual
  - Personalized Recommendations
  - Mutoh 1604 Manual User Reviews and Ratings
  - Mutoh 1604 Manual and Bestseller Lists
5. Accessing Mutoh 1604 Manual Free and Paid eBooks

- Mutoh 1604 Manual Public Domain eBooks
  - Mutoh 1604 Manual eBook Subscription Services
  - Mutoh 1604 Manual Budget-Friendly Options
6. Navigating Mutoh 1604 Manual eBook Formats
    - ePub, PDF, MOBI, and More
    - Mutoh 1604 Manual Compatibility with Devices
    - Mutoh 1604 Manual Enhanced eBook Features
  7. Enhancing Your Reading Experience
    - Adjustable Fonts and Text Sizes of Mutoh 1604 Manual
    - Highlighting and Note-Taking Mutoh 1604 Manual
    - Interactive Elements Mutoh 1604 Manual
  8. Staying Engaged with Mutoh 1604 Manual
    - Joining Online Reading Communities
    - Participating in Virtual Book Clubs
    - Following Authors and Publishers Mutoh 1604 Manual
  9. Balancing eBooks and Physical Books Mutoh 1604 Manual
    - Benefits of a Digital Library
    - Creating a Diverse Reading Collection Mutoh 1604 Manual
  10. Overcoming Reading Challenges
    - Dealing with Digital Eye Strain
    - Minimizing Distractions
    - Managing Screen Time
  11. Cultivating a Reading Routine Mutoh 1604 Manual
    - Setting Reading Goals Mutoh 1604 Manual
    - Carving Out Dedicated Reading Time
  12. Sourcing Reliable Information of Mutoh 1604 Manual
    - Fact-Checking eBook Content of Mutoh 1604 Manual
    - Distinguishing Credible Sources
  13. Promoting Lifelong Learning
    - Utilizing eBooks for Skill Development

- 
- Exploring Educational eBooks
14. Embracing eBook Trends
- Integration of Multimedia Elements
  - Interactive and Gamified eBooks

### **Mutoh 1604 Manual Introduction**

Free PDF Books and Manuals for Download: Unlocking Knowledge at Your Fingertips In today's fast-paced digital age, obtaining valuable knowledge has become easier than ever. Thanks to the internet, a vast array of books and manuals are now available for free download in PDF format. Whether you are a student, professional, or simply an avid reader, this treasure trove of downloadable resources offers a wealth of information, conveniently accessible anytime, anywhere. The advent of online libraries and platforms dedicated to sharing knowledge has revolutionized the way we consume information. No longer confined to physical libraries or bookstores, readers can now access an extensive collection of digital books and manuals with just a few clicks. These resources, available in PDF, Microsoft Word, and PowerPoint formats, cater to a wide range of interests, including literature, technology, science, history, and much more. One notable platform where you can explore and download free Mutoh 1604 Manual PDF books and manuals is the internet's largest free library. Hosted online, this catalog compiles a vast assortment of documents, making it a veritable goldmine of knowledge. With its easy-to-use website interface and customizable PDF generator, this platform offers a user-friendly experience, allowing individuals to effortlessly navigate and access the information they seek. The availability of free PDF books and manuals on this platform demonstrates its commitment to democratizing education and empowering individuals with the tools needed to succeed in their chosen fields. It allows anyone, regardless of their background or financial limitations, to expand their horizons and gain insights from experts in various disciplines. One of the most significant advantages of downloading PDF books and manuals lies in their portability. Unlike physical copies, digital books can be stored and carried on a single device, such as a tablet or smartphone, saving valuable space and weight. This convenience makes it possible for readers to have their entire library at their fingertips, whether they are commuting, traveling, or simply enjoying a lazy afternoon at home. Additionally, digital files are easily searchable, enabling readers to locate specific information within seconds. With a few keystrokes, users can search for keywords, topics, or phrases, making research and finding relevant information a breeze. This efficiency saves time and effort, streamlining the learning process and allowing individuals to focus on extracting the information they need. Furthermore, the availability of free PDF books and manuals fosters a culture of continuous learning. By removing financial barriers, more people can access educational resources and pursue lifelong learning, contributing to personal growth and professional development. This democratization of knowledge promotes intellectual curiosity and empowers

individuals to become lifelong learners, promoting progress and innovation in various fields. It is worth noting that while accessing free Mutoh 1604 Manual PDF books and manuals is convenient and cost-effective, it is vital to respect copyright laws and intellectual property rights. Platforms offering free downloads often operate within legal boundaries, ensuring that the materials they provide are either in the public domain or authorized for distribution. By adhering to copyright laws, users can enjoy the benefits of free access to knowledge while supporting the authors and publishers who make these resources available. In conclusion, the availability of Mutoh 1604 Manual free PDF books and manuals for download has revolutionized the way we access and consume knowledge. With just a few clicks, individuals can explore a vast collection of resources across different disciplines, all free of charge. This accessibility empowers individuals to become lifelong learners, contributing to personal growth, professional development, and the advancement of society as a whole. So why not unlock a world of knowledge today? Start exploring the vast sea of free PDF books and manuals waiting to be discovered right at your fingertips.

### **FAQs About Mutoh 1604 Manual Books**

How do I know which eBook platform is the best for me? Finding the best eBook platform depends on your reading preferences and device compatibility. Research different platforms, read user reviews, and explore their features before making a choice. Are free eBooks of good quality? Yes, many reputable platforms offer high-quality free eBooks, including classics and public domain works. However, make sure to verify the source to ensure the eBook credibility. Can I read eBooks without an eReader? Absolutely! Most eBook platforms offer web-based readers or mobile apps that allow you to read eBooks on your computer, tablet, or smartphone. How do I avoid digital eye strain while reading eBooks? To prevent digital eye strain, take regular breaks, adjust the font size and background color, and ensure proper lighting while reading eBooks. What the advantage of interactive eBooks? Interactive eBooks incorporate multimedia elements, quizzes, and activities, enhancing the reader engagement and providing a more immersive learning experience. Mutoh 1604 Manual is one of the best book in our library for free trial. We provide copy of Mutoh 1604 Manual in digital format, so the resources that you find are reliable. There are also many Ebooks of related with Mutoh 1604 Manual. Where to download Mutoh 1604 Manual online for free? Are you looking for Mutoh 1604 Manual PDF? This is definitely going to save you time and cash in something you should think about.

---

**Find Mutoh 1604 Manual :**

*pearson management lab manual answers*

**pearson symbiosis lab manual brooklyn college**

pearson education fractions and decimals

pearson anatomy physiology lab manual answer key

*pediatric practice endocrinology 2nd edition hardcover 2014 by michael kappy*

*peinture moderne fleurs botaniques laquarelle*

pelvic pain explained what everyone needs to know

pedsnotes nurses clinical pocket guide nurses clinical pocket guides

**peavey mark 4**

pearson envision math workbook grade 4

**pdms isodraft manual**

*peaceful piggy meditation albert whitman prairie books*

pe civil reference manual

pearl harbor apprenticeship test questions

pearson chemistry workbook answers acid bases

**Mutoh 1604 Manual :**

arts et cultures du maroc un jardin d objets tapa dura amazon es - Jul 08 2022

web arts et cultures du maroc un jardin d objets relié achat en ligne au meilleur prix sur e leclerc retrait gratuit dans de 700 magasins

**arts et cultures du maroc un jardin d objets 2867701627** - May 18 2023

web arts et cultures du maroc un jardin d objets aux éditions acr connu par l architecture de ses monuments le maroc a aussi été le lieu de création d une immense quantité

arts et cultures du maroc un jardin d objets semantic scholar - Jun 19 2023

web in addition to the architecture of its religious monuments palaces and kasbahs morocco has a great many works of a smaller scale whose artistic nature has always been the

**download free arts et cultures du maroc un jardin d objets** - Apr 05 2022

web andr goldenberg tous les produits fnac marrakech le festival de lart du jardin de retour l educasources slection



---

thématique le jardin un outil 80 meilleures images du tableau

*arts et cultures du maroc un jardin d objets by marie rose* - Mar 04 2022

web we give arts et cultures du maroc un jardin d objets and numerous ebook collections from fictions to scientific research in any way accompanied by them is this arts et

**arts et cultures du maroc un jardin d objets librairie eyrolles** - Sep 10 2022

web arts et cultures du maroc un jardin d objets marie rose rabaté rupture de stock présentation d objets de la vie courante de vêtements d armes etc empreints d un

**arts et cultures du maroc un jardin d objets relié au meilleur** - Jun 07 2022

web oct 16 2003 arts et spectacles arts et spectacles arts et cultures du maroc un jardin d objets arts et cultures du maroc un jardin d objets fiche 0 note

*arts et cultures du maroc un jardin d objets pdf* - Oct 23 2023

web arts et cultures du maroc un jardin d objets le maroc en 100 questions aug 07 2023 qui est mohammed vi est ce le roi qui dirige l islam marocain est il un garde fou

**puis je mettre un cheval dans mon jardin le figaro** - Aug 29 2021

web arts et cultures du maroc un jardin d objets connu par l architecture de ses monuments le maroc a aussi été le lieu de création d une immense quantité d ½uvres

*arts et cultures du maroc un jardin d objets decitre* - Mar 16 2023

web jan 1 2004 arts et cultures du maroc un jardin d objets de marie rose rabaté collection cultures livraison gratuite à 0 01 dès 35 d achat librairie decitre votre

arts et cultures du maroc un jardin d objets valentin pinta - Feb 03 2022

web 14 hours ago en dix ans le gouvernement compte investir 120 milliards de dollars et étendre les zones de culture du brésil qui passeraient de 65 à 105 millions d hectares

arts et cultures du maroc un jardin d objets fnac - Oct 11 2022

web librairie eyrolles librairie en ligne spécialisée informatique graphisme construction photo management et généraliste vente de livres numériques

**arts et cultures du maroc un jardin d objets furet** - Dec 13 2022

web arts et cultures du maroc un jardin d objets bibliography of art and architecture in the islamic world 2 vols libraries at the heart of dialogue of cultures and religions le

cop28 un fonds international de préservation des forêts - Jan 02 2022

web 5 hours ago d un côté il y a fine arts paris monté par les organisateurs du salon du dessin sous la houlette de louis de

---

bayser fils du grand marchand bruno maestro du

[arts et cultures du maroc un jardin d objets lecteurs com](#) - May 06 2022

web arts et cultures du maroc apr 12 2023 présente des objets de la vie courante empreints d un sens artistique particulièrement élaboré par la forme ou le décor ces

**cop28 le brésil propose la création d un fonds visant à protéger** - Sep 29 2021

web 15 hours ago puis je avoir un cheval dans mon jardin ou dans mon pré la réglementation relative à la détention d un cheval sur un terrain privé n est pas

**arts et cultures du maroc un jardin d objets goodreads** - Jul 20 2023

web apr 1 2004 arts et cultures du maroc un jardin d objets book read reviews from world s largest community for readers illustrates the diverse cultural heritage of

**arts et cultures du maroc un jardin d objets by rabaté** - Jan 14 2023

web arts et cultures du maroc un jardin d objets by rabaté and a great selection of related books art and collectibles available now at abebooks com

[arts et cultures du maroc un jardin d objets yabiladi com](#) - Aug 21 2023

web arts et cultures du maroc un jardin d objets catégorie divers editeur acr Éditions publication 3004 05 31 langue français nb pages 336 isbn 2867701627 71 25

**arts et cultures du maroc un jardin d objets hardcover** - Apr 17 2023

web buy arts et cultures du maroc un jardin d objets by marie rose rabate andre goldenberg isbn 9782867701627 from amazon s book store everyday low prices

**arts et cultures du maroc un jardin d objets relié amazon fr** - Sep 22 2023

web arts et cultures du maroc un jardin d objets rabaté marie rose goldenberg andré amazon fr livres livres art musique et cinéma histoire et critique neuf 75 00

[au grand palais éphémère le salon fab paris prend du galon](#) - Dec 01 2021

web 1 hour ago paco le musicien préféré des enfants est un chien les livres musicaux constituent la porte d entrée idéale des enfants aux différents répertoires

[arts et cultures du maroc un jardin d objets 2023 stage gapinc](#) - Nov 12 2022

web des milliers de livres avec la livraison chez vous en 1 jour ou en magasin avec 5 de réduction arts et cultures du maroc un jardin d objets un jardin d objets relié

[arts et cultures du maroc un jardin d objets yabiladi com](#) - Jul 28 2021

web noté 5 retrouvez arts et cultures du maroc un jardin d objets by marie rose rabate 2011 12 14 et des millions de livres en

stock sur amazon fr achetez neuf ou d occasion

[arts et cultures du maroc un jardin d objets abebooks france](#) - Feb 15 2023

web arts et cultures du maroc un jardin d objets de rabaté marie rose goldenberg andré sur abebooks fr isbn 10 2867701627 isbn 13 9782867701627 acr

**arts et cultures du maroc un jardin d objets by marie rose** - Jun 26 2021

**arts et cultures du maroc un jardin d objets marie rose** - Aug 09 2022

web arts et cultures du maroc un jardin d objets rabaté marie rose goldenberg andré vivier marie france amazon es libros *paco le musicien préféré des enfants est un chien le figaro* - Oct 31 2021

web 16 hours ago le président brésilien lula présentera les détails du dispositif supposé couvrir 80 pays lors de la 28<sup>e</sup> conférence des nations unies sur le climat qui se tiendra

**pogil solubility answer sheet ahecd data utah edu** - Mar 30 2022

web jul 1 2023 merely said the pogil solubility answer sheet is universally compatible taking into account any devices to read page 1 15 july 01 2023 pogil solubility answer sheet chemistry chemical reactivity chemistry 2epogil activities for high school chemistrymodern analytical chemistry

*chem 115 pogil worksheet week 5 limiting reagents solubility* - Apr 11 2023

web be able to calculate theoretical yield of a reaction based on a limiting reagent be able to identify which solutes will be strong electrolytes weak electrolytes or nonelectrolytes in aqueous solution be able to predict the solubility

[pogil solubility answer sheet pdf full pdf voto uncal edu](#) - Jan 28 2022

web enter the realm of pogil solubility answer sheet pdf a mesmerizing literary masterpiece penned with a distinguished author guiding readers on a profound journey to unravel the secrets and potential hidden within every word

[solubility pogil answer key pdf ebook and manual free download](#) - Sep 04 2022

web you can download pdf versions of the user s guide manuals and ebooks about solubility pogil answer key you can also find and download for free a free online manual notices with beginner and intermediate downloads documentation you can download pdf files or doc and ppt about solubility pogil answer key for free but please respect

[pogilsolubilityanswersheet wikimid2 aapg](#) - Nov 06 2022

web transformation from a traditional approach to a pogil student centered approach discuss their motivations and implementation processes issues related to implementing pogil in large classes

**solubility wcs** - Jan 08 2023

web solubility is typically reported as grams of solute per 100 g h<sub>2</sub>o for example if a maximum of 20.4 g of table sugar

sucrose will dissolve in 100 g of water at 20 °C then the solubility of sucrose would be 204 g sucrose / 100 g H<sub>2</sub>O. Would it be acceptable for a student to use trial 2 from experiment 1 to determine the solubility?

**pogil solubility answer key free pdf download** - Jul 02 2022

web apr 26 2023 if you are looking for the pogil solubility answer key you've come to the right place download the answer key pdf for free

pogil solubility curves edited google docs google sheets - Feb 09 2023

web model table 1 solubility data complete the model use google spreadsheets to make a graph of the solubility data in table create a google sheet copy and paste the data table above into sheets highlight the data and insert chart and pick a scatter graph

*wongchemistry home* - Jun 13 2023

web wongchemistry home

**pogil solubility answer sheet university of utah** - Dec 27 2021

web pogil solubility answer sheet yeah reviewing a ebook pogil solubility answer sheet could grow your near friends listings this is just one of the solutions for you to be successful as understood exploit does not recommend that you have astonishing points

**pogil solubility with answer key sapjebucket** - Apr 30 2022

web see last week's answer sheet NaCl is a strong electrolyte when dissolved in water but pure the solubility product constant  $K_{sp}$  for silver carbonate  $Ag_2CO_3$  is  $8.10 \times 10^{-12}$  compare the solubility of silver carbonate in water to

*pogil chemistry* - Dec 07 2022

web the pogil project is grateful for the support of the national science foundation the department of education the hach scientific foundation google education and university relations fund of tides foundation merle robbins franklin marshall college and the toyota usa foundation request a workshop

**pogil solubility answer sheet neurocme med ucla edu** - Feb 26 2022

web 2 pogil solubility answer sheet 2022 08 15 down with facts and vocabulary the typical non science major student needs information presented in a way that is easy to read and understand even more importantly the content should be meaningful students do much better when they understand why biology is relevant to their everyday lives for

**solubility pogil answers key google docs google sheets** - May 12 2023

web there are two philosophical supports of the on this page you can read or download chemistry pogil solubility answer key in pdf format if you don't see any interesting for you use our search

*pogilsolubilityanswersheet pdf old arianavara* - Aug 03 2022

web pogil activities for high school chemistry introduction to chemistry chemistry pogilsolubilityanswersheet downloaded from old arianavara.com by guest sterling shaylee the language of science education academic press the book comprises papers presented at the 7th international conference on university learning and

**pogil home** - Jun 01 2022

web a pogil activity is designed to be used with self managed teams that employ the instructor as a facilitator of learning rather than as a source of information a pogil activity guides students through an exploration to construct deepen refine and or integrate understanding of relevant disciplinary content the application and development of

*2 pogil saturated and unsaturated solutions and solubility* - Aug 15 2023

web 2 pogil saturated and unsaturated solutions and solubility key pdf loading

**pogil pogil answer keys** - Oct 05 2022

web pogil answer keys the pogil project is aware that many teachers post pogil activity answer keys on their school websites please be advised that doing this is strongly discouraged because doing so violates copyright law and does a great disservice to students who are trying to work through the problems on their own

**chem 115 pogil worksheet week 5 answers limiting** - Jul 14 2023

web chem 115 pogil worksheet week 5 answers limiting reagents solubility and solution reactions key questions exercises 1 see last week s answer sheet 2 see last week s answer sheet 3 see last week s answer sheet 4 nacl is a strong electrolyte when dissolved in water but pure solid nacl does not conduct electricity why

**properties of solutions umb edu** - Mar 10 2023

web chem 116 pogil worksheet week 4 properties of solutions key questions identify the principal type of solute solvent interaction that is responsible for forming the following solutions a kno in water b br in benzene c h c glycerol 3 2 6 6 ch oh ch oh ch oh in water d hcl in acetonitrile ch cn hcl does not form 2 3

the theory of sprays and finsler spaces with - Mar 09 2023

web details for theory of sprays and finsler spaces with applications in physics and biology normal view marc view isbd view theory of sprays

**theory of sprays and finsler spaces with** - Nov 05 2022

web the theory of sprays and finsler spaces with applications in physics and biology world scientific publishing company in this book prominent russian scientist yuriy i khavkin

the theory of sprays and finsler spaces with google books - Feb 08 2023

web this on line proclamation the theory of sprays and finsler spaces with appl as skillfully as review them wherever you are now the theory of sprays and finsler spaces

---

**the theory of sprays and finsler spaces with appl uniport edu** - Mar 29 2022

web 2 the theory of sprays and finsler spaces with appl 2021 02 17 evaporation of mono and multi component droplets the models were developed for cases when small and

*the theory of sprays and finsler spaces with appl* - Dec 06 2022

web equations a finsler metric on a manifold is a family of norms in tangent spaces which vary smoothly with the base point every finsler metric determines a spray by its systems of

**the theory of sprays and finsler spaces with appl** - Jan 07 2023

web the theory of sprays and finsler spaces with appl right here we have countless book the theory of sprays and finsler spaces with appl and collections to check out we

the theory of sprays and finsler spaces with appl - Oct 24 2021

pdf the theory of sprays and finsler spaces with - Aug 14 2023

web the theory of sprays and finsler spaces with applications in physics and biology fundamental theories of physics an international book series on the fundamental

*the theory of sprays and finsler spaces with appl download* - Apr 10 2023

web the theory of sprays and finsler spaces with appl handbook of finsler geometry 1 2003 feb 03 2022 there are several mathematical approaches to finsler geometry

**the theory of sprays and finsler spaces with appl pdf** - Aug 02 2022

web aug 9 2023 as this the theory of sprays and finsler spaces with appl it ends stirring beast one of the favored book the theory of sprays and finsler spaces with appl

**the theory of sprays and finsler spaces with appl copy** - Nov 24 2021

the theory of sprays and finsler spaces with appl jean paul - Sep 03 2022

web the theory of sprays and finsler spaces with appl is available in our digital library an online access to it is set as public so you can download it instantly our digital library

**the theory of sprays and finsler spaces with appl 2022 ftp** - Jul 01 2022

web the theory of sprays and finsler spaces with appl 3 3 principles of cs technology and also includes a brief survey of thermal spray methods the basic principles of plasticity

**researchgate** - Sep 22 2021

---

**the theory of sprays and finsler spaces with researchgate** - May 11 2023

web the principles and methods of sprays path spaces and finsler spaces together with examples of applications to physical and life sciences it is our aim to write an

*the theory of sprays and finsler spaces with appl uniport edu* - Jan 27 2022

web fundamental theories of physics an international book series on the fundamental theories of physics their clarification development and application editor alwyn v

the theory of sprays and finsler spaces with appl pdf 2023 - May 31 2022

web aug 2 2023 articles on complex manifolds holonomy sprays and kcc theory symplectic structures legendre duality hodge theory and gauss bonnet formulas

the theory of sprays and finsler spaces with appl api - Feb 25 2022

web 2 the theory of sprays and finsler spaces with appl 2020 02 18 geometry after studying either one of these the reader will be able to understand the included survey

the theory of sprays and finsler spaces with appl api publico - Apr 29 2022

web the theory of sprays and finsler spaces with appl 2 12 downloaded from uniport edu ng on august 28 2023 by guest in comparison geometry and geometric analysis on finsler

*pdf theory of sprays and finsler spaces with* - Jun 12 2023

web the main purpose of this book is to present the principles and methods of sprays path spaces and finsler spaces together with examples of applications to physical and life

the theory of sprays and finsler spaces with appl copy - Dec 26 2021

*the theory of sprays and finsler spaces with appl pdf* - Oct 04 2022

web jul 1 2023 the theory of sprays and finsler spaces with appl pdf is available in our digital library an online access to it is set as public so you can download it instantly

the theory of sprays and finsler spaces with applications in - Jul 13 2023

web apr 24 2023 the theory of sprays and finsler spaces with appl fractal geometry and dynamical systems in pure and applied mathematics ii aug 17 2020 this volume