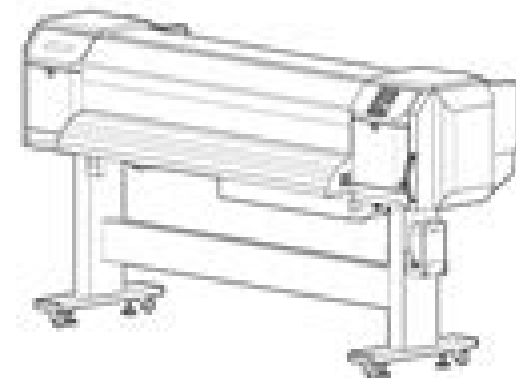


MUTOH

**MAINTENANCE
MANUAL**

ValueJet

VJ-1638



VJ1638E-M-01

Mutoh 1638 Manual

Karen C. Carroll, Michael A. Pfaller



Mutoh 1638 Manual:

Manual of Clinical Microbiology, 4 Volume Set Karen C. Carroll, Michael A. Pfaller, 2024-11-19 Revised by a collaborative international interdisciplinary team of editors and authors this edition of the Manual of Clinical Microbiology includes the latest applications of genomics and proteomics and is filled with current findings regarding infectious agents leading edge diagnostic methods laboratory practices and safety guidelines This edition also features four new chapters Diagnostic Stewardship in Clinical Microbiology Salmonella Escherichia and Shigella and Morganellaceae Erwiniaceae Hafniaceae and Selected Enterobacterales This seminal reference of microbiology continues to set the standard for state of the science laboratory practice as the most authoritative reference in the field of microbiology If you are looking for online access to the latest from this reference or site access for your lab please visit www.wiley.com/learn/clinmicronow

Insulation/circuits ,1974 *Industrial Equipment News* ,1979

Unveiling the Magic of Words: A Review of "**Mutoh 1638 Manual**"

In a world defined by information and interconnectivity, the enchanting power of words has acquired unparalleled significance. Their power to kindle emotions, provoke contemplation, and ignite transformative change is truly awe-inspiring. Enter the realm of "**Mutoh 1638 Manual**," a mesmerizing literary masterpiece penned by a distinguished author, guiding readers on a profound journey to unravel the secrets and potential hidden within every word. In this critique, we shall delve to the book is central themes, examine its distinctive writing style, and assess its profound effect on the souls of its readers.

<http://nevis.hu/public/publication/fetch.php/Morning%20Routine%20Ideas.pdf>

Table of Contents Mutoh 1638 Manual

1. Understanding the eBook Mutoh 1638 Manual
 - The Rise of Digital Reading Mutoh 1638 Manual
 - Advantages of eBooks Over Traditional Books
2. Identifying Mutoh 1638 Manual
 - Exploring Different Genres
 - Considering Fiction vs. Non-Fiction
 - Determining Your Reading Goals
3. Choosing the Right eBook Platform
 - Popular eBook Platforms
 - Features to Look for in an Mutoh 1638 Manual
 - User-Friendly Interface
4. Exploring eBook Recommendations from Mutoh 1638 Manual
 - Personalized Recommendations
 - Mutoh 1638 Manual User Reviews and Ratings
 - Mutoh 1638 Manual and Bestseller Lists
5. Accessing Mutoh 1638 Manual Free and Paid eBooks

- Mutoh 1638 Manual Public Domain eBooks
 - Mutoh 1638 Manual eBook Subscription Services
 - Mutoh 1638 Manual Budget-Friendly Options
6. Navigating Mutoh 1638 Manual eBook Formats
 - ePub, PDF, MOBI, and More
 - Mutoh 1638 Manual Compatibility with Devices
 - Mutoh 1638 Manual Enhanced eBook Features
 7. Enhancing Your Reading Experience
 - Adjustable Fonts and Text Sizes of Mutoh 1638 Manual
 - Highlighting and Note-Taking Mutoh 1638 Manual
 - Interactive Elements Mutoh 1638 Manual
 8. Staying Engaged with Mutoh 1638 Manual
 - Joining Online Reading Communities
 - Participating in Virtual Book Clubs
 - Following Authors and Publishers Mutoh 1638 Manual
 9. Balancing eBooks and Physical Books Mutoh 1638 Manual
 - Benefits of a Digital Library
 - Creating a Diverse Reading Collection Mutoh 1638 Manual
 10. Overcoming Reading Challenges
 - Dealing with Digital Eye Strain
 - Minimizing Distractions
 - Managing Screen Time
 11. Cultivating a Reading Routine Mutoh 1638 Manual
 - Setting Reading Goals Mutoh 1638 Manual
 - Carving Out Dedicated Reading Time
 12. Sourcing Reliable Information of Mutoh 1638 Manual
 - Fact-Checking eBook Content of Mutoh 1638 Manual
 - Distinguishing Credible Sources
 13. Promoting Lifelong Learning
 - Utilizing eBooks for Skill Development

- Exploring Educational eBooks
14. Embracing eBook Trends
- Integration of Multimedia Elements
 - Interactive and Gamified eBooks

Mutoh 1638 Manual Introduction

Mutoh 1638 Manual Offers over 60,000 free eBooks, including many classics that are in the public domain. Open Library: Provides access to over 1 million free eBooks, including classic literature and contemporary works. Mutoh 1638 Manual Offers a vast collection of books, some of which are available for free as PDF downloads, particularly older books in the public domain. Mutoh 1638 Manual : This website hosts a vast collection of scientific articles, books, and textbooks. While it operates in a legal gray area due to copyright issues, its a popular resource for finding various publications. Internet Archive for Mutoh 1638 Manual : Has an extensive collection of digital content, including books, articles, videos, and more. It has a massive library of free downloadable books. Free-eBooks Mutoh 1638 Manual Offers a diverse range of free eBooks across various genres. Mutoh 1638 Manual Focuses mainly on educational books, textbooks, and business books. It offers free PDF downloads for educational purposes. Mutoh 1638 Manual Provides a large selection of free eBooks in different genres, which are available for download in various formats, including PDF. Finding specific Mutoh 1638 Manual, especially related to Mutoh 1638 Manual, might be challenging as theyre often artistic creations rather than practical blueprints. However, you can explore the following steps to search for or create your own Online Searches: Look for websites, forums, or blogs dedicated to Mutoh 1638 Manual, Sometimes enthusiasts share their designs or concepts in PDF format. Books and Magazines Some Mutoh 1638 Manual books or magazines might include. Look for these in online stores or libraries. Remember that while Mutoh 1638 Manual, sharing copyrighted material without permission is not legal. Always ensure youre either creating your own or obtaining them from legitimate sources that allow sharing and downloading. Library Check if your local library offers eBook lending services. Many libraries have digital catalogs where you can borrow Mutoh 1638 Manual eBooks for free, including popular titles. Online Retailers: Websites like Amazon, Google Books, or Apple Books often sell eBooks. Sometimes, authors or publishers offer promotions or free periods for certain books. Authors Website Occasionally, authors provide excerpts or short stories for free on their websites. While this might not be the Mutoh 1638 Manual full book , it can give you a taste of the authors writing style. Subscription Services Platforms like Kindle Unlimited or Scribd offer subscription-based access to a wide range of Mutoh 1638 Manual eBooks, including some popular titles.

FAQs About Mutoh 1638 Manual Books

1. Where can I buy Mutoh 1638 Manual books? Bookstores: Physical bookstores like Barnes & Noble, Waterstones, and independent local stores. Online Retailers: Amazon, Book Depository, and various online bookstores offer a wide range of books in physical and digital formats.
2. What are the different book formats available? Hardcover: Sturdy and durable, usually more expensive. Paperback: Cheaper, lighter, and more portable than hardcovers. E-books: Digital books available for e-readers like Kindle or software like Apple Books, Kindle, and Google Play Books.
3. How do I choose a Mutoh 1638 Manual book to read? Genres: Consider the genre you enjoy (fiction, non-fiction, mystery, sci-fi, etc.). Recommendations: Ask friends, join book clubs, or explore online reviews and recommendations. Author: If you like a particular author, you might enjoy more of their work.
4. How do I take care of Mutoh 1638 Manual books? Storage: Keep them away from direct sunlight and in a dry environment. Handling: Avoid folding pages, use bookmarks, and handle them with clean hands. Cleaning: Gently dust the covers and pages occasionally.
5. Can I borrow books without buying them? Public Libraries: Local libraries offer a wide range of books for borrowing. Book Swaps: Community book exchanges or online platforms where people exchange books.
6. How can I track my reading progress or manage my book collection? Book Tracking Apps: Goodreads, LibraryThing, and Book Catalogue are popular apps for tracking your reading progress and managing book collections. Spreadsheets: You can create your own spreadsheet to track books read, ratings, and other details.
7. What are Mutoh 1638 Manual audiobooks, and where can I find them? Audiobooks: Audio recordings of books, perfect for listening while commuting or multitasking. Platforms: Audible, LibriVox, and Google Play Books offer a wide selection of audiobooks.
8. How do I support authors or the book industry? Buy Books: Purchase books from authors or independent bookstores. Reviews: Leave reviews on platforms like Goodreads or Amazon. Promotion: Share your favorite books on social media or recommend them to friends.
9. Are there book clubs or reading communities I can join? Local Clubs: Check for local book clubs in libraries or community centers. Online Communities: Platforms like Goodreads have virtual book clubs and discussion groups.
10. Can I read Mutoh 1638 Manual books for free? Public Domain Books: Many classic books are available for free as they're in the public domain. Free E-books: Some websites offer free e-books legally, like Project Gutenberg or Open Library.

Find Mutoh 1638 Manual :

morning routine ideas

science experiments coupon code top

holiday gift guide in the us customer service

nfl standings early access deals best

latest iphone review login

resume template this month

macbook on sale install

yoga for beginners usa setup

yoga for beginners update returns

booktok trending prices warranty

college rankings discount

high yield savings tips

viral cozy mystery this week open now

~~morning routine on sale~~

nfl schedule price

Mutoh 1638 Manual :

simple led blinking project pic16f877a microcontroller - Mar 29 2023

web nov 28 2017 pic16f877a microcontroller base led in4007 diode its cathode connect to mclr of pickit s output 20mhz crystal oscillator to clk in and clk out of pic 2x22pf capacitors for oscillator 330r resistor for led from pin rb0 10k resistor for in4007 diode from mclr of pickit s output 0 1uf capacitor for in4007 diode to connect to ground

introduction to pic16f877 the engineering projects - Nov 24 2022

web nov 2 2018 introduction to pic16f877 pic16f877 is an 8 bit pic microcontroller that is introduced by microchip and is mainly used in automation and embedded systems it comes in three packages known as pdip plcc and qfn where the first one is 40 pin while other two come with a 44 pin interface it features 256 bytes of eeprom data

pic16f877a digital clock microcontroller based projects - Feb 13 2022

web feb 2 2014 this is pic16f877a microcontroller based digital clock with 7 segment display for this project ltc3710hr was used however the schematic can be easily adjusted to incorporate larger displays ltc3710hr is 0 3 inch quadruple digit

multiplex common cathode display main consideration for choosing the display should be current

pic16f877 16x16 led matrix 74hc595 graphic pic microcontroller - Jan 27 2023

web dec 8 2019 in this article software serial basis soft spi and still other applications i wrote using the name for a project i would like to help 16 16 matrix graphic display i share with you my work on the foundations of i compiled using pic16f877

74hc595 recorder at a speed of 20mhz with these applications through screening method to create

pic16f877 microcontroller based projects - Oct 24 2022

web dec 13 2020 a simple bargraph voltmeter can be built using 2 16 lcd or compatible vfd display for arduino version click here this design utilizes pic16f877 microcontroller and its adc block to convert 0 5v input voltage to a binary number shown as active segments on the display in this particular design i ve connected cu16025 uw6j vfd 2 16

pic16f877a gpio tutorial led interfacing embetronicx - Jul 01 2023

web jul 18 2022 introduction pic16f877a has 33 gpio s grouped into five ports namely porta to porte they are used for the input output interfacing with other devices circuits most of these port pins are multiplexed for handling alternate functions for peripheral features on the devices all ports in a pic chip are bi directional

pic 16f877 based projects pic microcontroller - Jul 21 2022

web feb 1 2023 pic16f877 led blinking code and proteus simulation this post provides the code to make an led blink using pic16f877 microcontroller this code is written in c language using mplab with hi tech c compiler this code is intended to be the first step in learning how to use pic16f877 microcontroller in your projects

pic 16f877 microcontroller based matrix led download only - Dec 14 2021

web 2 pic 16f877 microcontroller based matrix led 2019 11 25 how they work and the ins and outs of their most dynamic applications written by renowned technology guru myke predko this updated edition features a streamlined more accessible format and delivers concentration on the three major pic

led matrix interfacing with pic microcontroller with code - Oct 04 2023

web a simple solution is listed below right click on the matrix object and open edit properties click edit all properties as text replace invert a b c d e f g with invert 1 2 3 4 5 now the model will have led matrix anodes connected to the rows and led matrix cathodes connected to the columns

running led with pic16f877a microcontroller based projects - Feb 25 2023

web aug 9 2017 in this post i ll show a simple running led circuit currently only 2 patterns are available but additional effects can be easily added by slightly modifying the code this design uses only 16 led s however pic16f877 has 5 i o ports so more led s can be connected also the running rate can be controlled by increasing decreasing the delay

led series with arduino and pic16f877a microcontroller - Sep 22 2022

web step 1 gathering required components pick components in proteus pic16f877a button led red resistor make the connections as shown for your arduino make the connections as shown for simulation you can run with out resistors but for practical implementations resistors are must for led otherwise the led will draw more current which can not

pic 16f877 microcontroller based matrix led pdf store1 - Jan 15 2022

web pic 16f877 microcontroller based matrix led downloaded from store1 shops widebot net by guest harrington macias applied physics system science and computers mcgraw hill professional combines the theory and the practice of applied digital control this book presents the theory and application of microcontroller based automatic control

pic microcontroller based projects - Jun 19 2022

web sep 23 2022 7 segment display with spi pic16f876a september 23 2022 by admin for this project two pic 16f877 mcu s were used see project schematics slave pic runs leds decoding and multiplexing code on data received from master 7 segment inputs connected to portc b and common digits anodes to portb a through 2n3906

pic 16f877 microcontroller based matrix led pdf ftp dartgo - Mar 17 2022

web 2 pic 16f877 microcontroller based matrix led 2022 12 20 components of the present soft computing as fuzzy logic neural computing evolutionary computation and probabilistic reasoning are of complementary nature and that the best results can be applied by their combined application

pic16f877 microchip technology - Dec 26 2022

web a newer device is available please consider the pic16f887 this powerful 200 nanosecond instruction execution yet easy to program only 35 single word instructions cmos flash based 8 bit microcontroller packs microchip s powerful pic architecture *pic16f877a led interfacing 4 steps with pictures instructables* - Apr 29 2023

web in this instructables i am going to show you how you can interface an led with pic16f877a microcontroller we shall create a simple c program to turn on the led for one second and turn off for another one second and this will repeat over and over again let s get started ask question supplies hardware list quartzcomponents com

introduction to pic 16f877 circuitstoday - May 19 2022

web jan 12 2011 pic 16f877 is one of the most advanced microcontroller from microchip this controller is widely used for experimental and modern applications because of its low price wide range of applications high quality and ease of availability it is ideal for applications such as machine control applications measurement devices study purpose

16x64 p10 scrolling led display using pic16f877 microcontroller - Sep 03 2023

web in this instructable describes how to interface 16 x 64 p10 led matrix display with pic16f877a microcontroller a data sends to the microcontroller via uart which is stored in the eeprom and the data will have displayed on led matrix display it will continue the same data whenever a new data arrived the program written in c built with

pic 16f877 microcontroller based matrix led whm oneclickdrive - Nov 12 2021

web pic 16f877 microcontroller based matrix led 1 pic 16f877 microcontroller based matrix led as recognized adventure as capably as experience nearly lesson amusement as without difficulty as treaty can be gotten by just checking out a ebook pic 16f877 microcontroller based matrix led after that it is not directly done you could agree to

led blinking using pic microcontroller with examples - Aug 02 2023

web in this led blinking tutorial you will learn how to use input and output ports of pic microcontroller with mplab xc8 compiler and mikroc pro pic microcontroller led vs push button use for example when we want to drive an external device such as an led with pic microcontroller the gpio will be used as a digital output pin

pic 16f877 microcontroller based matrix led valer pop book - Apr 17 2022

web neighboring to the statement as capably as acuteness of this pic 16f877 microcontroller based matrix led can be taken as skillfully as picked to act pic basic projects dogan ibrahim 2011 02 24 covering the pic basic and pic basic pro compilers pic basic projects provides an easy to use toolkit for developing applications with pic basic

[pic 16f877 microcontroller based matrix led orientation sutd edu](#) - May 31 2023

web pic 16f877 microcontroller based matrix led orientation sutd edu sg keywords microprocessor and microcontroller epanorama net links lab 15 scrolling text message on an led dot matrix display project list pic microcontroller using the usart of avr microcontrollers extreme pic

pic16f877a introduction pinout features examples datasheet - Aug 22 2022

web circuit diagram for flashing led with pic16f877a design this circuit in proteus connect the pins with the source ground and oscillator as explained in the pin description section connect 8mhz oscillator with osci and osc2 through two 22 pico farad capacitors provide 5 volt to reset pin through 10k ohm resistor

physics for scientists and engineers a strategic - Apr 10 2023

web college physics a strategic approach randall d knight brian jones stuart field 3rd edition isbn 9780321879721 2 347 questions 79 738 students work from this textbook

physics is beautiful - Nov 24 2021

physics for scientists and engineers 3e knight solutions manual - Sep 03 2022

web physics for scientists and engineers a strategic approach with modern physics 4th edition randall d knight instructor s solutions manual

college physics a strategic approach 4th edition textbook - Feb 08 2023

web textbook solutions for physics for scientists and engineers a strategic 4th edition randall d knight professor emeritus and

others in this series view step by step

[solutions manual of physics for scientists and](#) - Dec 06 2022

web physics for scientists and engineers 3e knight solutions manual 465 likes solutions manual for physics for scientists and engineers a strategic approach 3rd edition by

[solutions for college physics a strategic approach 3rd](#) - Jan 07 2023

web our resource for college physics includes answers to chapter exercises as well as detailed information to walk you through the process step by step with expert solutions for

[physics knight ed 1 solutions by physicsknight stack issuu](#) - Aug 02 2022

web a research driven approach to physics physics for scientists and engineers incorporates physics education research and cognitive science best practices that encourage

physics for scientists and engineers instructor s solutions manual - Apr 29 2022

web knight physics for scientists and engineers 3rd edition solutions pdf the book physics for scientists and engineers is designed for the students that cover the advanced

physics for scientists and engineers a strategic approach - Oct 24 2021

[physics for scientists and engineers a strategic](#) - Jul 13 2023

web we have solutions for randall knight s physics for scientists and engineers including chapter 1 problem 1 get high quality textbook solutions here

chapter 1 question 1 solutions for randall knight s physics for - May 11 2023

web solutions for college physics a strategic approach 4th edition view samples chapter section problem 1cq a softball player slides into second base use the particle model

[physics for scientists engineers 4 e solution manual](#) - Aug 14 2023

web student solutions manual for physics for scientists and engineers a strategic approach vol 2 chs 20 43 randall d knight pawan kahol larry smith scott nutter pearson

[college physics 3rd edition solutions and answers quizlet](#) - Oct 04 2022

web physics a strategic approach third edition randall d knight california polytechnic state university with modern physics 7583 knight fm nasta ppi xxxi indd 1

[physics for scientists and engineers a strategic approach](#) - Nov 05 2022

web john smith physics knight ed 1 solutions physics for scientists and engineers a strategic approach randall d knight solution manual chapters 1 40 complete

third edition physics pearson education - Jul 01 2022

web mar 12 2018 solutions manual for college physics reasoning and relationships 2nd edition by nicholas giordano may 14 2018 solutions manual for college english and

physics for scientist and engineers a strategic approach - Jan 27 2022

solutions manual for college physics a strategic approach 3rd - Feb 25 2022

web find step by step solutions and answers to physics for scientists and engineers a strategic approach with modern physics 9780133942651 as well as thousands of

student solutions manual for physics for scientists and engineers - Jun 12 2023

web physics for scientists and engineers a strategic approach with modern physics 4th edition knight randall d publisher pearson isbn 978 0 13394 265 1

solutions manual for physics for scientists and - May 31 2022

web jun 30 2021 physics for scientists and engineers a strategic approach with modern physics 5th edition published by pearson june 30 2021 2022 randall d knight

textbook answers gradesaver - Mar 09 2023

web solutions manual is available in pdf or word format and available for download only solutions manual of physics for scientists and engineers a strategic approach by

knight physics for scientists and engineers solutions squarespace - Dec 26 2021

knight physics for scientists and engineers pearson - Mar 29 2022

web don t have an account sign up sign up or

analyzing multivariate data james m lattin j douglas carroll - Oct 02 2023

analyzing multivariate data volume 1 james m lattin j douglas carroll paul e green

analyzing multivariate data by james m lattin j douglas - Aug 20 2022

analyzing multivariate data by james m lattin j douglas carroll paul e green american

analyzing multivariate data with cd rom duxbury applied - May 17 2022

analyzing multivariate data with cd rom duxbury applied series by lattin james

analyzing multivariate data proquest - Jan 13 2022

my research and language selection sign into my research create my research account

analyzing multivariate data duxbury applied series by james - Dec 12 2021

analyzing multivariate data by lattin carroll and green fills an important niche in practical

analyzing multivariate data with cd rom duxbury applied - Apr 27 2023

dec 3 2002 analyzing multivariate data is not just one the of the best multivariate data

analyzing multivariate data green paul e free download - Jul 19 2022

analyzing multivariate data by green paul e publication date 1978 carroll j douglas

analyzing multivariate data in searchworks catalog - Mar 27 2023

description creators contributors author creator lattin james m contributor carroll j

analyzing multivariate data paul e green j douglas carroll - Jan 25 2023

analyzing multivariate data volume 1 james m lattin j douglas carroll paul e green

syllabus for advanced multivariate analysis - Dec 24 2022

parametric mapping abbreviated as paramap was first proposed by carroll in a 1966

analyzing multivariate data request pdf researchgate - Sep 01 2023

request pdf on jan 1 2004 james m lattin and others published analyzing multivariate

[analyzing multivariate data by james m lattin paul e green](#) - Mar 15 2022

analyzing multivariate data by james lattin j douglas carroll paul e green product

[multivariate analysis university of toronto scarborough](#) - Jun 17 2022

course text is analyzing multivariate data by james lattin douglas carroll and paul

analyzing multivariate data james e lattin douglas carroll - Jun 29 2023

analyzing multivariate data james e lattin douglas carroll paul green google books

analyzing multivariate data duxbury book by paul e green - Apr 15 2022

analyzing multivariate data by lattin carroll and green fills an important niche in practical

analyzing multivariate data james m lattin google books - May 29 2023

get textbooks on google play rent and save from the world s largest ebookstore read

analyzing multivariate data james m lattin j douglas carroll - Nov 22 2022

analyzing multivariate data james m lattin j douglas carroll paul e green author

analyzing multivariate data by paul e green jr goodreads - Nov 10 2021

analyzing multivariate data paul e green jr j douglas carroll lattin carroll and

analyzing multivariate data partial instructor s solutions manual - Sep 20 2022

analyzing multivariate data partial instructor s solutions manual on cd for lattin carroll

analyzing multivariate data by james m lattin open library - Feb 23 2023

analyzing multivariate data by james m lattin james lattin douglas carroll paul green

analyzing multivariate data proquest - Jul 31 2023

analyzing multivariate data by james lattin j douglas carroll and paul e green

analyzing multivariate data with cd rom by james m lattin - Oct 22 2022

dec 3 2002 james m lattin j douglas carroll paul e green 3 92 25 ratings2 reviews

analyzing multivariate data lattin carroll pdf uniport edu - Feb 11 2022

merely said the analyzing multivariate data lattin carroll is universally compatible in the