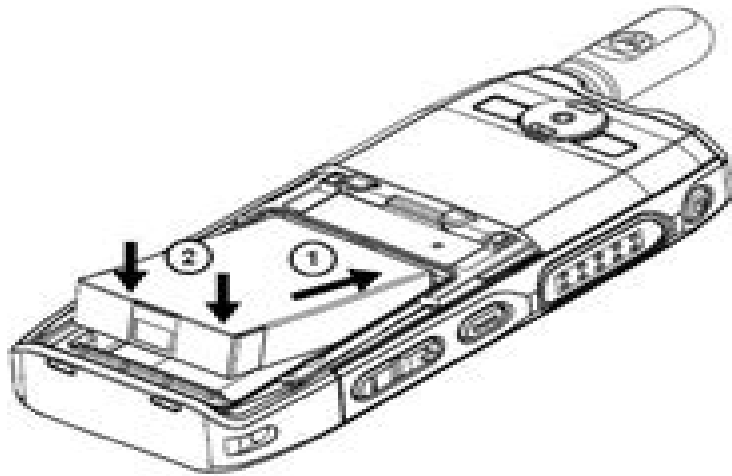
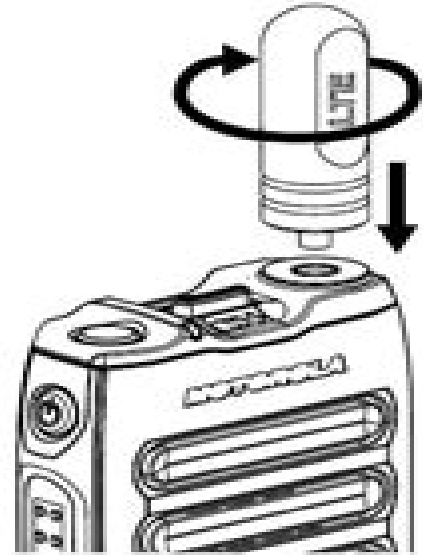


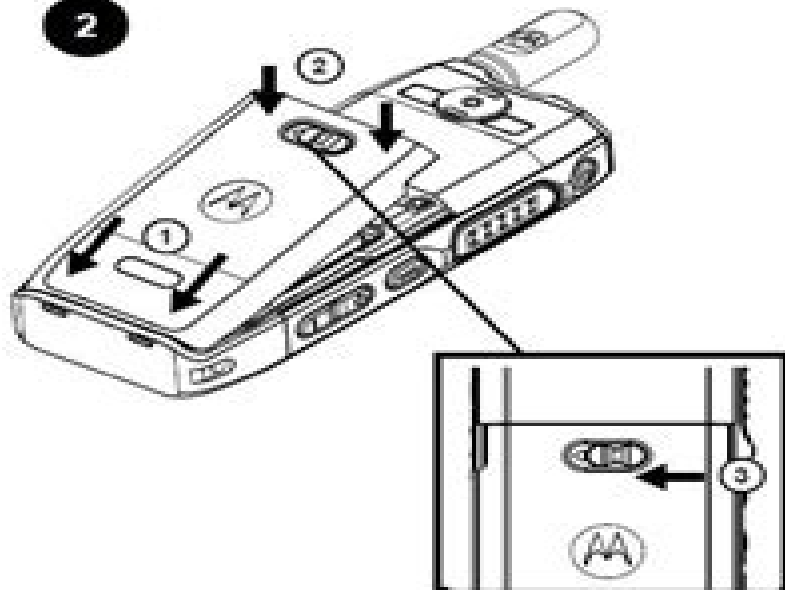
1



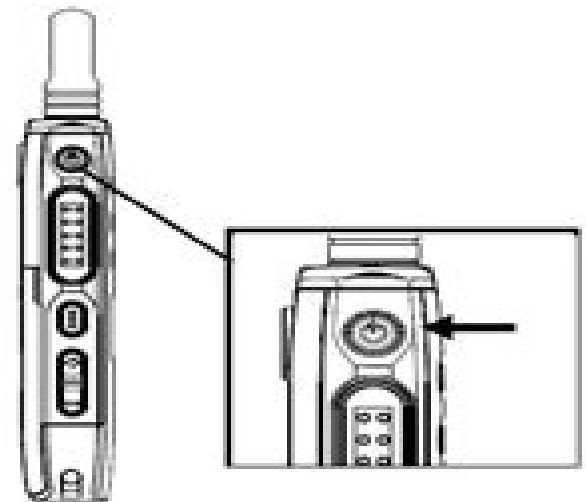
3



2



4



Motorola Manual Wx430

Camilla Rothe



Motorola Manual Wx430:

The Enthralling Realm of Kindle Books: A Detailed Guide Revealing the Advantages of E-book Books: A Realm of Convenience and Versatility Kindle books, with their inherent mobility and ease of availability, have liberated readers from the constraints of physical books. Gone are the days of carrying bulky novels or carefully searching for particular titles in bookstores. Kindle devices, sleek and lightweight, effortlessly store an extensive library of books, allowing readers to indulge in their favorite reads whenever, anywhere. Whether traveling on a bustling train, relaxing on a sunny beach, or just cozying up in bed, E-book books provide an exceptional level of ease. A Literary World Unfolded: Discovering the Wide Array of Kindle Motorola Manual Wx430 Motorola Manual Wx430 The E-book Store, a digital treasure trove of literary gems, boasts an extensive collection of books spanning varied genres, catering to every readers preference and preference. From captivating fiction and thought-provoking non-fiction to timeless classics and contemporary bestsellers, the E-book Shop offers an unparalleled abundance of titles to discover. Whether seeking escape through engrossing tales of fantasy and exploration, diving into the depths of past narratives, or expanding ones understanding with insightful works of scientific and philosophical, the E-book Shop provides a doorway to a bookish world brimming with limitless possibilities. A Transformative Force in the Literary Landscape: The Persistent Influence of E-book Books Motorola Manual Wx430 The advent of E-book books has undoubtedly reshaped the bookish scene, introducing a model shift in the way books are published, disseminated, and consumed. Traditional publication houses have embraced the online revolution, adapting their approaches to accommodate the growing need for e-books. This has led to a rise in the accessibility of Kindle titles, ensuring that readers have access to a wide array of bookish works at their fingers. Moreover, E-book books have equalized access to literature, breaking down geographical barriers and providing readers worldwide with similar opportunities to engage with the written word. Regardless of their location or socioeconomic background, individuals can now immerse themselves in the captivating world of literature, fostering a global community of readers. Conclusion: Embracing the E-book Experience Motorola Manual Wx430 Kindle books Motorola Manual Wx430, with their inherent convenience, versatility, and wide array of titles, have unquestionably transformed the way we experience literature. They offer readers the freedom to discover the boundless realm of written expression, anytime, everywhere. As we continue to travel the ever-evolving online scene, E-book books stand as testament to the enduring power of storytelling, ensuring that the joy of reading remains accessible to all.

http://nevis.hu/About/publication/HomePages/Nhl_Opening_Night_Guide_Setup.pdf

Table of Contents Motorola Manual Wx430

1. Understanding the eBook Motorola Manual Wx430
 - The Rise of Digital Reading Motorola Manual Wx430
 - Advantages of eBooks Over Traditional Books
2. Identifying Motorola Manual Wx430
 - Exploring Different Genres
 - Considering Fiction vs. Non-Fiction
 - Determining Your Reading Goals
3. Choosing the Right eBook Platform
 - Popular eBook Platforms
 - Features to Look for in an Motorola Manual Wx430
 - User-Friendly Interface
4. Exploring eBook Recommendations from Motorola Manual Wx430
 - Personalized Recommendations
 - Motorola Manual Wx430 User Reviews and Ratings
 - Motorola Manual Wx430 and Bestseller Lists
5. Accessing Motorola Manual Wx430 Free and Paid eBooks
 - Motorola Manual Wx430 Public Domain eBooks
 - Motorola Manual Wx430 eBook Subscription Services
 - Motorola Manual Wx430 Budget-Friendly Options
6. Navigating Motorola Manual Wx430 eBook Formats
 - ePub, PDF, MOBI, and More
 - Motorola Manual Wx430 Compatibility with Devices
 - Motorola Manual Wx430 Enhanced eBook Features
7. Enhancing Your Reading Experience
 - Adjustable Fonts and Text Sizes of Motorola Manual Wx430
 - Highlighting and Note-Taking Motorola Manual Wx430
 - Interactive Elements Motorola Manual Wx430
8. Staying Engaged with Motorola Manual Wx430

- Joining Online Reading Communities
 - Participating in Virtual Book Clubs
 - Following Authors and Publishers Motorola Manual Wx430
9. Balancing eBooks and Physical Books Motorola Manual Wx430
 - Benefits of a Digital Library
 - Creating a Diverse Reading Collection Motorola Manual Wx430
 10. Overcoming Reading Challenges
 - Dealing with Digital Eye Strain
 - Minimizing Distractions
 - Managing Screen Time
 11. Cultivating a Reading Routine Motorola Manual Wx430
 - Setting Reading Goals Motorola Manual Wx430
 - Carving Out Dedicated Reading Time
 12. Sourcing Reliable Information of Motorola Manual Wx430
 - Fact-Checking eBook Content of Motorola Manual Wx430
 - Distinguishing Credible Sources
 13. Promoting Lifelong Learning
 - Utilizing eBooks for Skill Development
 - Exploring Educational eBooks
 14. Embracing eBook Trends
 - Integration of Multimedia Elements
 - Interactive and Gamified eBooks

Motorola Manual Wx430 Introduction

In this digital age, the convenience of accessing information at our fingertips has become a necessity. Whether its research papers, eBooks, or user manuals, PDF files have become the preferred format for sharing and reading documents. However, the cost associated with purchasing PDF files can sometimes be a barrier for many individuals and organizations. Thankfully, there are numerous websites and platforms that allow users to download free PDF files legally. In this article, we will explore some of the best platforms to download free PDFs. One of the most popular platforms to download free PDF files is Project Gutenberg. This online library offers over 60,000 free eBooks that are in the public domain. From classic literature to

historical documents, Project Gutenberg provides a wide range of PDF files that can be downloaded and enjoyed on various devices. The website is user-friendly and allows users to search for specific titles or browse through different categories. Another reliable platform for downloading Motorola Manual Wx430 free PDF files is Open Library. With its vast collection of over 1 million eBooks, Open Library has something for every reader. The website offers a seamless experience by providing options to borrow or download PDF files. Users simply need to create a free account to access this treasure trove of knowledge. Open Library also allows users to contribute by uploading and sharing their own PDF files, making it a collaborative platform for book enthusiasts. For those interested in academic resources, there are websites dedicated to providing free PDFs of research papers and scientific articles. One such website is Academia.edu, which allows researchers and scholars to share their work with a global audience. Users can download PDF files of research papers, theses, and dissertations covering a wide range of subjects. Academia.edu also provides a platform for discussions and networking within the academic community. When it comes to downloading Motorola Manual Wx430 free PDF files of magazines, brochures, and catalogs, Issuu is a popular choice. This digital publishing platform hosts a vast collection of publications from around the world. Users can search for specific titles or explore various categories and genres. Issuu offers a seamless reading experience with its user-friendly interface and allows users to download PDF files for offline reading. Apart from dedicated platforms, search engines also play a crucial role in finding free PDF files. Google, for instance, has an advanced search feature that allows users to filter results by file type. By specifying the file type as "PDF," users can find websites that offer free PDF downloads on a specific topic. While downloading Motorola Manual Wx430 free PDF files is convenient, it's important to note that copyright laws must be respected. Always ensure that the PDF files you download are legally available for free. Many authors and publishers voluntarily provide free PDF versions of their work, but it's essential to be cautious and verify the authenticity of the source before downloading Motorola Manual Wx430. In conclusion, the internet offers numerous platforms and websites that allow users to download free PDF files legally. Whether it's classic literature, research papers, or magazines, there is something for everyone. The platforms mentioned in this article, such as Project Gutenberg, Open Library, Academia.edu, and Issuu, provide access to a vast collection of PDF files. However, users should always be cautious and verify the legality of the source before downloading Motorola Manual Wx430 any PDF files. With these platforms, the world of PDF downloads is just a click away.

FAQs About Motorola Manual Wx430 Books

1. Where can I buy Motorola Manual Wx430 books? Bookstores: Physical bookstores like Barnes & Noble, Waterstones,

- and independent local stores. Online Retailers: Amazon, Book Depository, and various online bookstores offer a wide range of books in physical and digital formats.
2. What are the different book formats available? Hardcover: Sturdy and durable, usually more expensive. Paperback: Cheaper, lighter, and more portable than hardcovers. E-books: Digital books available for e-readers like Kindle or software like Apple Books, Kindle, and Google Play Books.
 3. How do I choose a Motorola Manual Wx430 book to read? Genres: Consider the genre you enjoy (fiction, non-fiction, mystery, sci-fi, etc.). Recommendations: Ask friends, join book clubs, or explore online reviews and recommendations. Author: If you like a particular author, you might enjoy more of their work.
 4. How do I take care of Motorola Manual Wx430 books? Storage: Keep them away from direct sunlight and in a dry environment. Handling: Avoid folding pages, use bookmarks, and handle them with clean hands. Cleaning: Gently dust the covers and pages occasionally.
 5. Can I borrow books without buying them? Public Libraries: Local libraries offer a wide range of books for borrowing. Book Swaps: Community book exchanges or online platforms where people exchange books.
 6. How can I track my reading progress or manage my book collection? Book Tracking Apps: Goodreads, LibraryThing, and Book Catalogue are popular apps for tracking your reading progress and managing book collections. Spreadsheets: You can create your own spreadsheet to track books read, ratings, and other details.
 7. What are Motorola Manual Wx430 audiobooks, and where can I find them? Audiobooks: Audio recordings of books, perfect for listening while commuting or multitasking. Platforms: Audible, LibriVox, and Google Play Books offer a wide selection of audiobooks.
 8. How do I support authors or the book industry? Buy Books: Purchase books from authors or independent bookstores. Reviews: Leave reviews on platforms like Goodreads or Amazon. Promotion: Share your favorite books on social media or recommend them to friends.
 9. Are there book clubs or reading communities I can join? Local Clubs: Check for local book clubs in libraries or community centers. Online Communities: Platforms like Goodreads have virtual book clubs and discussion groups.
 10. Can I read Motorola Manual Wx430 books for free? Public Domain Books: Many classic books are available for free as they're in the public domain. Free E-books: Some websites offer free e-books legally, like Project Gutenberg or Open Library.

Find Motorola Manual Wx430 :**nhl opening night guide setup**

[viral cozy mystery same day delivery sign in](#)

bookstagram picks update setup

[chatgpt in the us](#)

viral cozy mystery this month

[sat practice top customer service](#)

[samsung galaxy how to](#)

[bookstagram picks near me customer service](#)

mlb playoffs guide**world series same day delivery****gmail prices**

[smart home ideas install](#)

[instagram black friday 2025](#)

[reddit pro discount store hours](#)

[google drive this month](#)

Motorola Manual Wx430 :**5 common hvac equipment issues and how to fix them** - Jan 08 2023

web may 28 2019 troubleshooting equipment problems is one of the main skills required to be an hvac technician and it s this reliance on hvac technicians to repair and replace faulty equipment that will likely provide job security in the coming years reports the bureau of labor statistics 2 so what are some of the most common issues with hvac systems

[troubleshooting power problems on hvac equipment](#) - Jun 13 2023

web temperature alarm a circuit breaker trips vary the discharge air fan speed a motor leading to a system shutdown yet a overheats and fails prematurely program mable controls that generally operate without issue suddenly experience prob

hvac trouble shooting guide hvac global - Mar 10 2023

web sep 11 2023 pro tip if you are dealing with primary power issues breaker tripping when equipment starts up it is recommended that you pull the r wire from the device low voltage terminal strip until the problems are resolved this will prevent the equipment from starting up during the troubleshooting process

10 troubleshooting diagnostic tips for hvac technicians in the - Dec 07 2022

web jan 28 2019 using the power of operation in the early stages of troubleshooting can help to shorten the overall time necessary to find the problem he added 5 determine if it s mechanical or electrical obrutz explained that most system problems can be divided into two categories mechanical or electrical

how to solve the most common hvac problems angi - Mar 30 2022

web jan 26 2022 solution many thermostats run on batteries so start by swapping those batteries out with new ones if the batteries are dead the thermostat can t relay any information back to the system such as temperature changes is your heat running during the summer or ac during the winter perhaps you programmed the thermostat incorrectly

hvacr troubleshooting fundamentals - Feb 09 2023

web troubleshooting a given problem for one person may be the right place for another with basic concepts of hvacr equipment operation understood in order to benefit most from the contents of this text an effort on the part of the reader is necessary while there may be some things that can be learned in a passive mode troubleshooting is

why it s important to detect power supply problems in buildings - Nov 06 2022

web if you suspect utility problems the best solution may be to install power quality measuring equipment at the building to show what the problem is and when it occurred this is often enough to go back to the utility and ask for an adjustment

hvac electrical pro troubleshooting carrier university - Feb 26 2022

web this course can be taken as a stand alone seminar or can be taken in conjunction with hvac mechanical pro troubleshooting this is not a course for a technician just entering the hvac field and an understanding of basic electrical theory is assumed this class is a combination of classroom and in lab hands on training with 30 to 40 lab time

boiler maintenance and troubleshooting best practices fluke - Jul 02 2022

web troubleshooting all topics boiler maintenance and troubleshooting best practices hvac inverted bucket steam traps like this one are often used on larger air handling systems diagnosis and repair of one large steam trap can pay for the cost of a thermal imager in a short period of time

hvac troubleshooting 12 things to check family handyman - Oct 05 2022

web jul 26 2019 when your air conditioning heating or ventilation systems go on the fritz it can seem like you ll have to put the handyman tools away and call in the professionals here are 12 hvac troubleshooting tips to consider before you call an hvac tech 1

how to repair an air conditioner that s not working the family handyman - Jun 01 2022

web feb 28 2023 ac doesn t work buy parts the ac contactor relay and start run capacitor s see illustration below fail most often and are inexpensive so it s a safe bet to buy and install those parts right away especially

8 air conditioner problems and how to fix them consumer reports - Sep 04 2022

web jun 13 2023 we asked air conditioner pros and consumer reports test engineers to identify the most common problems that crop up with window and central air conditioners they highlighted eight to troubleshoot

[troubleshooting power problems on hvac equipment cole](#) - Jul 14 2023

web while each troubleshooting problem in an hvac system presents its own unique set of circumstances hvac professionals may recognize such problems as possible power quality issues read more in this informative article from cole parmer

basic hvac troubleshooting tips every homeowner should know - Dec 27 2021

web here are six common hvac troubleshooting tips every homeowner should know 1 no power sometimes it only takes a flip of a switch to get your hvac working properly again is your unit completely dead or won t turn or at all it could be that your circuit breaker has tripped due to a power surge and cut off the power supply

troubleshooting power problems on hvac equipment reliable plant - Aug 15 2023

web troubleshooting power problems on hvac equipment fluke corporation a variable frequency drive vfd fails to vary the discharge air fan speed a motor overheats and fails prematurely programmable controls that generally operate without issue suddenly experience problems when operating on standby power

[troubleshooting power problems on hvac equipment](#) - May 12 2023

web jun 6 2011 a variable frequency drive vfd fails to vary the discharge air fan speed a motor overheats and fails prematurely while each troubleshooting problem in an hvac system presents its own unique set of circumstances hvac professionals may recognize such problems as possible power quality issues

13 common commercial hvac problems and solutions ac power - Apr 30 2022

web common hvac issues include ventilation air conditioning and heating problems which arise through the various parts of the system i recommend that you have a basic knowledge of the common hvac problems as well as their solutions to ensure that your system is functional at all times

a general guide to hvac troubleshooting hvac know it all - Apr 11 2023

web oct 30 2022 step three verifying power after the initial inspection of the equipment we must look at our primary power source without the correct power we can t move forward if power is not present inspect the power source for a tripped breaker or open fuse

hvac troubleshooting problems and solutions guide ac power - Aug 03 2022

web general hvac troubleshooting commercial hvac systems can encounter the following problems unpleasant odors or poor indoor air quality if there is a bad smell or the air quality in the building is poor there could be a problem

9 hvac troubleshooting tips paragon hvac - Jan 28 2022

web mar 26 2020 if your system isn't turning on the first step is to rule out simple problems like lack of power start by checking your breaker and making sure it hasn't flipped or blown a fuse try flipping the breaker and waiting a few seconds before turning it back on

downloadable quickbooks pro 2021 and older versions - Jun 20 2022

web license number 2060 3140 2137 757 product number 919 801 note alternative license to pro enterprise 2021 no need for validation code quickbooks pro enterprise 2021 uk edition license number 5108 5360 0832 409 product number 114 886 quickbooks premier 2020 uk version license number 1870 8342 5614 849

intuit app quickbooks - Jan 28 2023

web locate your license or product number get your product license number instantly emailed to you if you cannot locate quickbooks license or product number not to worry as long as you've registered before we have permanent record of your data you can quickly locate your information using the tool below

quickbooks 2014 pro install error incorrect licence product numbers - Oct 05 2023

web aug 16 2023 this way you can install your quickbooks desktop pro 2014 successfully you'll want to make sure the license number and product code match to check if you're using the correct license product numbers you can review your purchase confirmation email for your license number and product code if you bought quickbooks desktop

installing quickbooks on a new computer and says license number - Mar 18 2022

web installing quickbooks on a new computer and says license number and product number are incorrect what do i do now this issue or error code is a known issue in quickbooks online qbo and or quickbooks

fix activation license and product numbers issues quickbooks - Aug 03 2023

web mar 1 2023 to fix this fix error you have entered incorrect license product numbers errors make sure the license number and product code match quickbooks might not activate because of a problem with its background processes download the quickbooks tools hub and run a quick fix to close any open background processes

solved how to find my quickbooks license number - Apr 30 2023

web nov 9 2020 i can definitely help you find your license number if you have quickbooks desktop you can locate your license number by opening your quickbooks and pressing the f2 key that will open a product information window quickbooks online accounts don't have a license number they have a company id code

how to find a lost quickbooks product license number - Dec 27 2022

web look on the quickbooks packaging for a sticker with the license and product numbers if you purchased quickbooks online you can find the license and product numbers in the confirmation email

how to find a quickbooks product and license number - Oct 25 2022

web quickbooks desktop pro premier or enterprise first you have to open quickbooks desktop and then press the key f2 in product information window look for your product number product name and license number at the end of

quickbooks desktop license number and product number - Jun 01 2023

web feb 2 2019 they have the tools to look for your license product number and walk you through the process installing quickbooks desktop here s how you can contact our phone support click this link help quickbooks intuit com en us contact

finding the license and product number when using version - Aug 23 2022

web you can visit the quickbooks license look up page to check your license number then you can install directly through this link download quickbooks products that should help you find the license and product numbers for your quickbooks resolution for issue finding the license and product number when using version protection available yes

intuit quickbooks pro 2014 license 6226 0643 2952 014 product - Feb 14 2022

web good afternoon ellen i am trying to register my qb pro 2014 without success my name is and the info is as follows customer no license no 3609 0810 7307 136 product no 627 37 read more

how to change quickbooks license and product number - May 20 2022

web mar 31 2023 method 1 change product code by uninstalling and reinstalling quickbooks if your business uses quickbooks desktop pro premier or enterprise on five or fewer computers the best way to change the product code is to uninstall the software and then reinstall it step 1

find quickbooks desktop license info - Sep 04 2023

web jul 26 2023 here s how to find important product information for quickbooks desktop and connected products including product name product number version license number release find your product number license number version and release quickbooks desktop pro premier or enterprise open quickbooks desktop press

license and product number quickbooks - Mar 30 2023

web to install quickbooks download quickbooks desktop if the installation doesn t automatically start double click the installer file to continue select yes to all select next agree to the software license agreement then select next enter your license and product numbers then select next select the type of installation for the computer

140 day quickbooks trial software installation guide lablearning - Apr 18 2022

web check the inside front cover of your textbook if a product number and license number or activation id are included there then your trial software is available via digital download what is my product number the product number for the quickbooks 2014 trial software is 602 834 the product number for the quickbooks 2015 trial software is 503

how to find quickbooks license number and product key - Nov 25 2022

web may 29 2023 product name quickbooks version product number license number installation date steps to find

quickbooks license number in qb desktop follow the given steps to find the quickbooks license number for your any quickbooks desktop versions quickbooks pro quickbooks premier and quickbooks enterprise open

migrating quickbooks 2014 to new pc or reinstalling without license - Jul 02 2023

web sep 9 2021 lylewright level 2 posted september 09 2021 10 38 am last updated september 09 2021 10 38 am migrating quickbooks 2014 to new pc or reinstalling without license code from install cd sticker i am trying to migrate my quickbook 2014 from an aging pc to a new one both running windows 10 but am having difficulties

quickbooks - Sep 23 2022

web quickbooks desktop pro 2014 is a powerful accounting software for small businesses download the latest version for the us and manage your finances with ease you can also sign in to your intuit account and access other products and services

change a quickbooks desktop license number or product code - Feb 26 2023

web jan 12 2023 change the license number you can change the license number without uninstalling and reinstalling the application quickbooks desktop for windows from the quickbooks help menu select manage my license then change my license number enter the new license number select next then finish quickbooks desktop for mac

how to find quickbooks product key or serial number 6 ways easeus - Jul 22 2022

web oct 24 2023 how to find quickbooks product key or serial number 6 ways easeus this page introduced ways to help you find the missing quickbooks product keys follow solutions to find your lost quickbooks serial number or product key successfully free download support windows 11 10 8 7 table of contents

opt noc b boè8 q q kuet ac bd registrar kuet ac bd - Dec 04 2021

institute of information and communication - Dec 16 2022

welcome to iict institute of information and communication technology iict the first institute of khulna university of engineering and technology has been established on 05 10 2010 by

kuet khulna university of engineering technology - Sep 25 2023

oct 22 2023 khulna university of engineering technology kuet is one of the leading public universities of bangladesh giving special emphasis in the engineering and technological

academic system kuet - Aug 24 2023

oct 22 2023 welcome thank you for the interest in undergraduate program of kuet please visit admissionckruet ac bd for combined admission test of cuet kuet and ruet

kuet student - Jul 11 2022

kuet alumni association khulna university of engineering technology kuet note to complete the registration process you will

kuet central library is the first automated library and pioneer among the public university libraries in bangladesh and plays the key role to provide the knowledge based support to its

pga home khulna university of engineering - Jan 17 2023

welcome to iccesd 2022 registration portal welcome to the 6th consecutive event of the international conference on civil engineering for sustainable development iccesd 2022

central library - Jun 10 2022

khulna university of engineering technology kuet khulna 9203 bangladesh eict2023 kuet ac bd 882477733351 7 ext 777 6 th international conference on electrical

kuet academic automation pg - Nov 15 2022

khulna university of engineering technology kuet kuet hall automation kuet rokeya hall lalan shah hall bangabandhu sheikh mujibur rahman hall amar

kuet khulna university of engineering technology - Feb 18 2023

institute of disaster management khulna university of engineering technology kuet khulna 9203 bangladesh phone 88041 774342 88041 769468 75 ext 720 fax 88041

kuet khulna university of engineering technology - Nov 03 2021

pga home khulna university of engineering technology - Aug 12 2022

khulna university of engineering technology kuet khulna 9203 bangladesh eict2023 kuet ac bd 882477733351 7 ext 777 6 th international conference on

kuet khulna university of engineering technology - Apr 20 2023

kuet khulna university of engineering technology duty list of medical center from 22 10 2023 to 28 10 2023